

Nova C Recliner Table



GREEN
FURNITURE
CONCEPT



Index

Apperance & Recycling	p1
Recliner Table Parts.....	p2
Assembly instructions Nova C Recliner Table	p3-4



Nova C Recliner Table



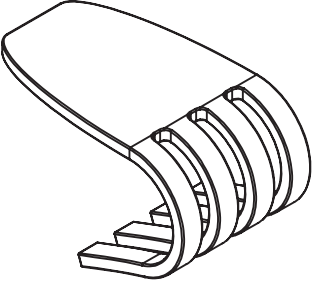
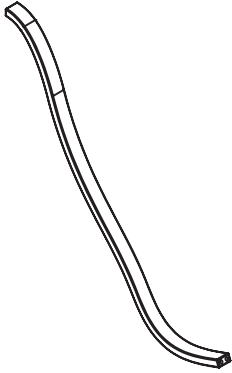
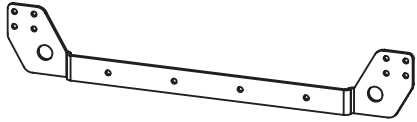
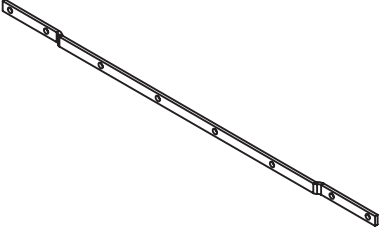
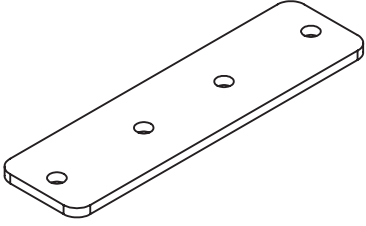
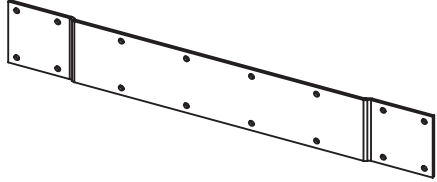
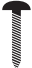


Wood

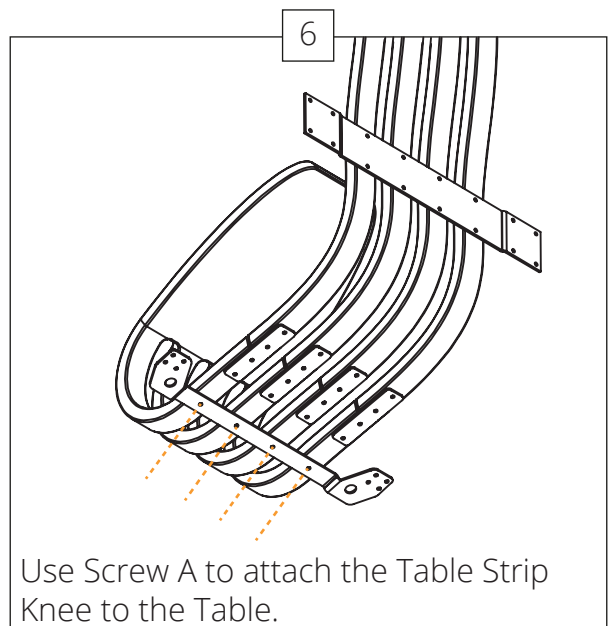
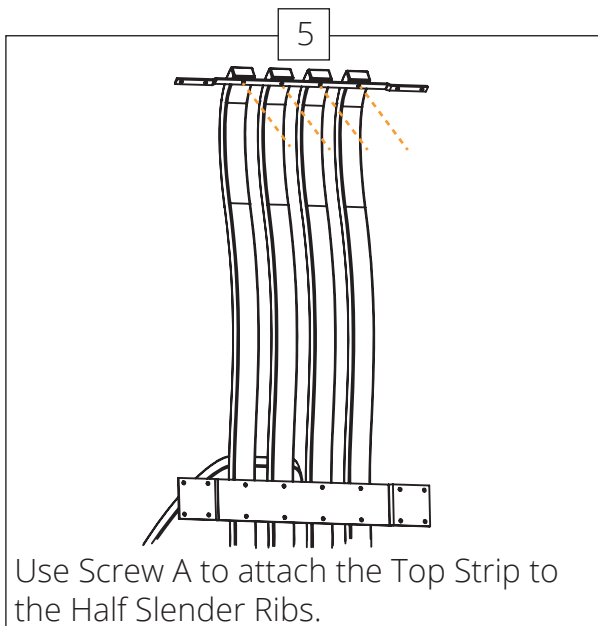
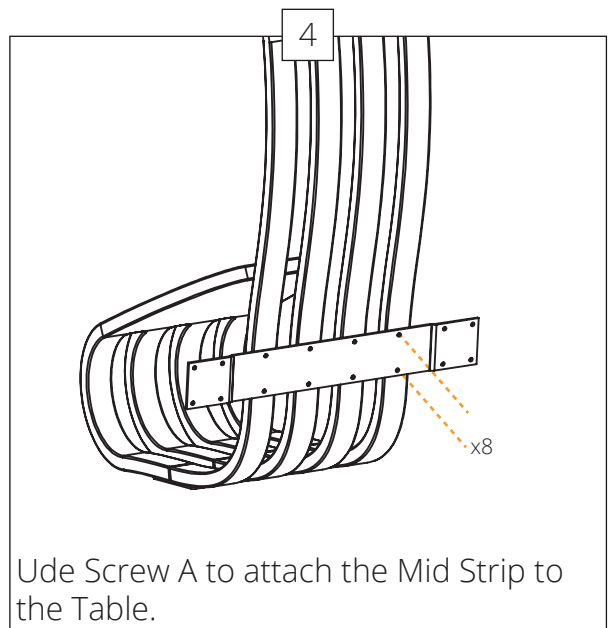
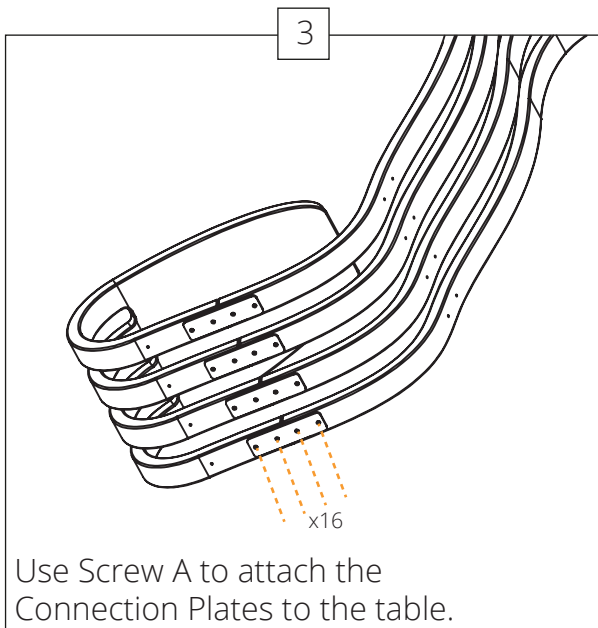
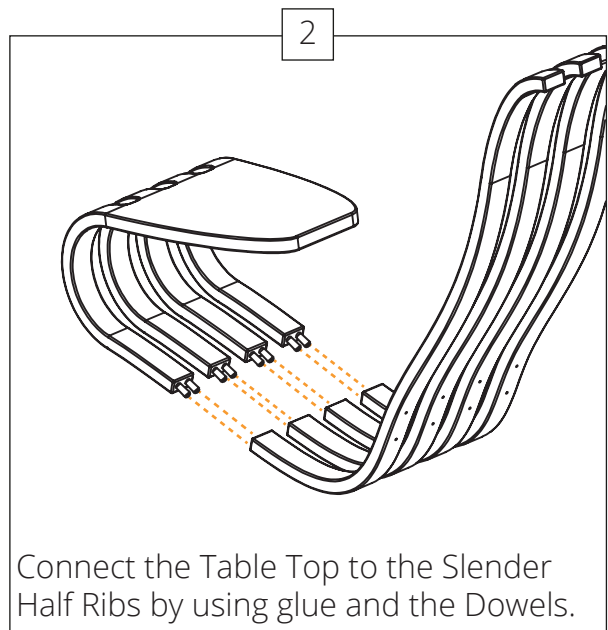
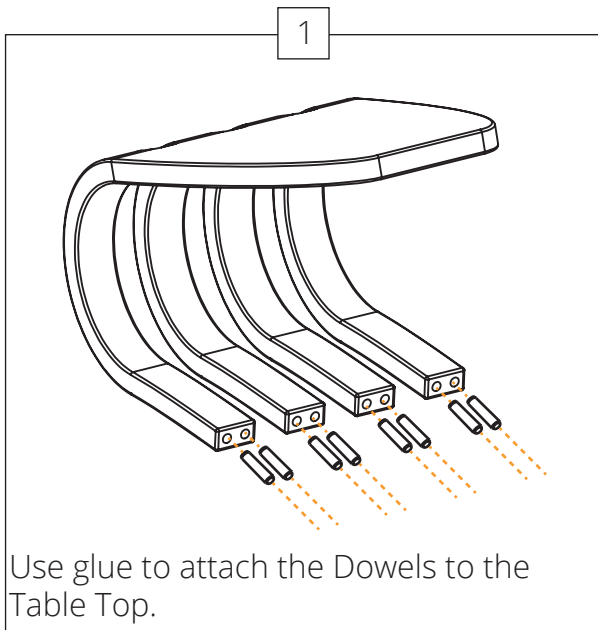


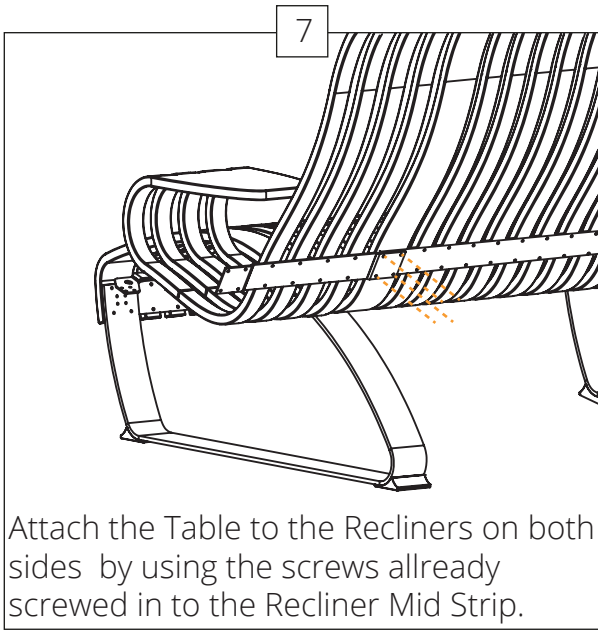
Metal



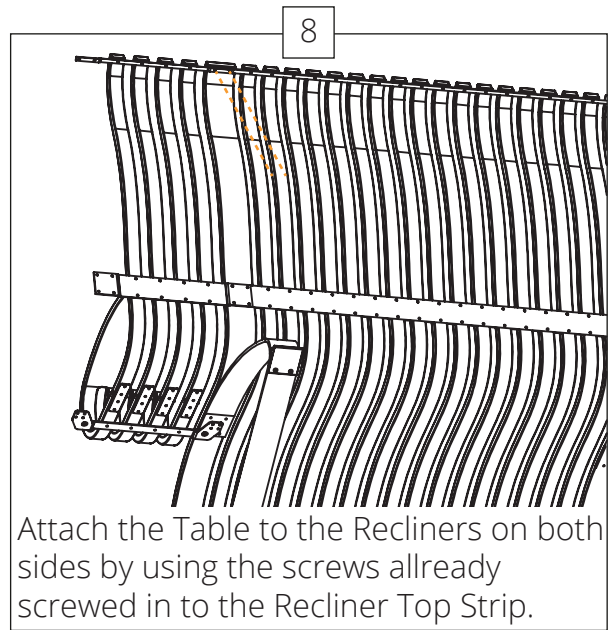


 <p>Nova C Recliner Table Top x1</p>	 <p>Nova C Recliner Slender Half Rib x4</p>	 <p>Nova C Recliner Table Strip Knee x1</p>
 <p>Nova C Recliner Table Top Strip x1</p>	 <p>Nova C Recliner Table Connection Plate x4</p>	 <p>Nova C Recliner Table Strip Mid x1</p>
 <p>Screw A x44 Roundhead wooden screw 5x20</p>  <p>Bolt A x8 Taptite M5x8 Roundhead</p>  <p>Dowel A x4</p>		

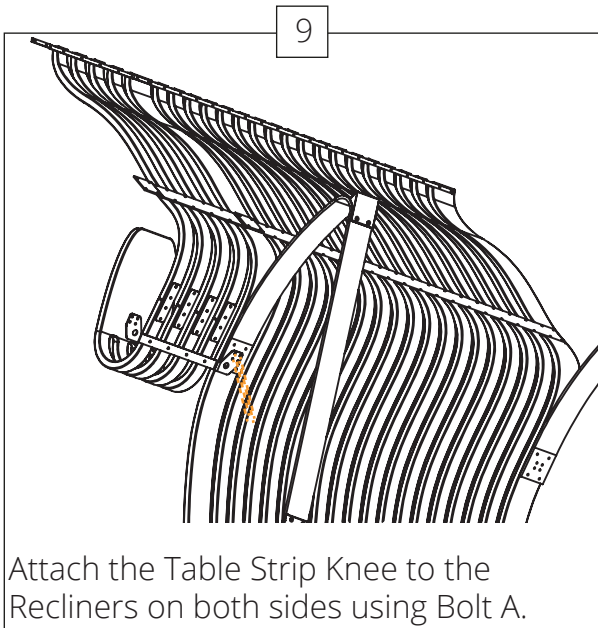




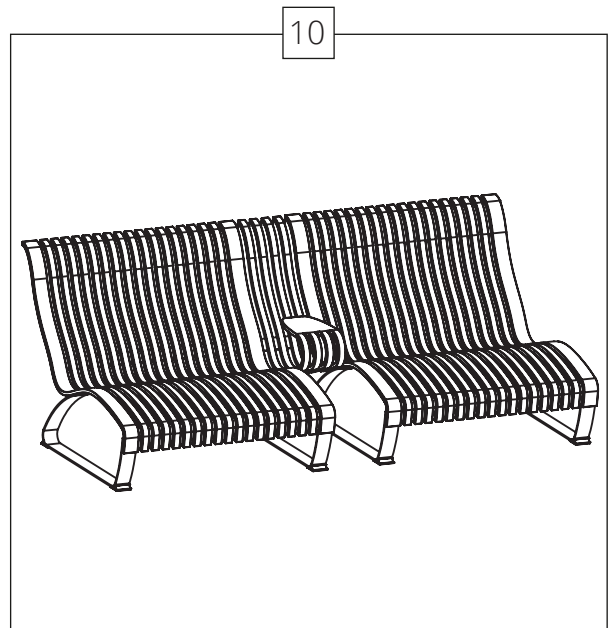
Attach the Table to the Recliners on both sides by using the screws already screwed in to the Recliner Mid Strip.



Attach the Table to the Recliners on both sides by using the screws already screwed in to the Recliner Top Strip.



Attach the Table Strip Knee to the Recliners on both sides using Bolt A.





**GREEN
FURNITURE
CONCEPT**