



Nova C Lounge



Green Furniture Concept



Index

Apperance Nova C Lounge	p1-2
Recycling	p3
Nova C Lounge Straight Parts.....	p4
Assembly instructions Nova C Lounge Straight	p5-6
Nova C Lounge Concave Parts.....	p7
Assembly instructions Nova C Lounge Concave	p8-9
Nova C Lounge Convex Parts.....	p10
Assembly instructions Nova C Lounge Convex	p11-12
Nova C Lounge Double Parts	p13
Assembly instructions Nova C Lounge Double	p14-15
Nova C Lounge Double Curved Parts.....	p16
Assembly instructions Nova C Lounge Double Curved	p17-18

Lounge Straight



Lounge Concave



Lounge Convex



Lounge Double Straight



Lounge Double Curved



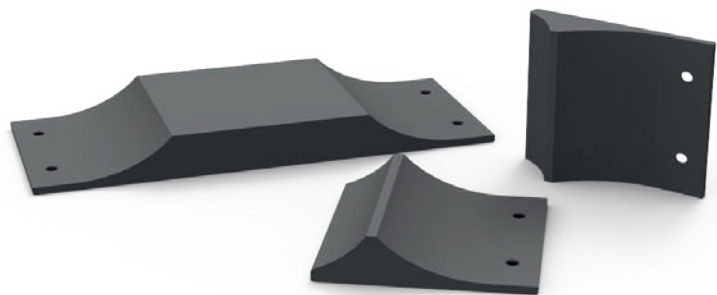
Wood

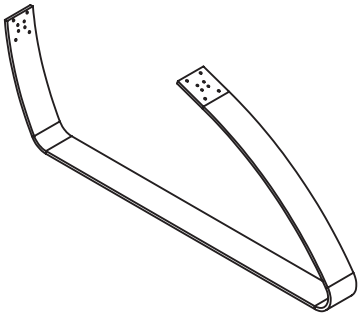
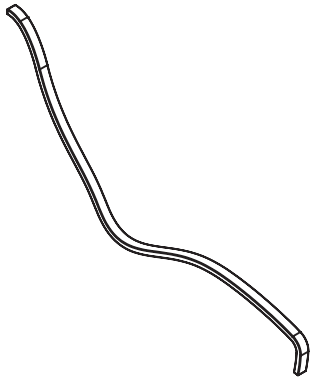
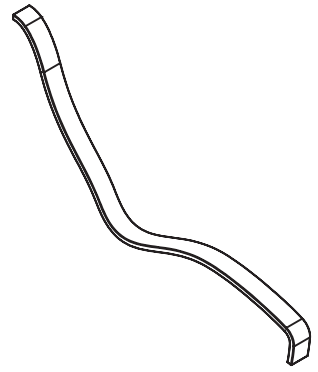
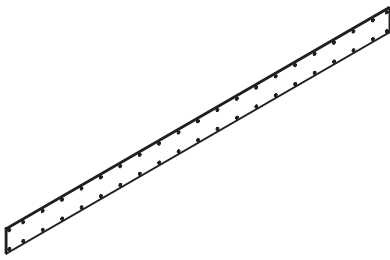
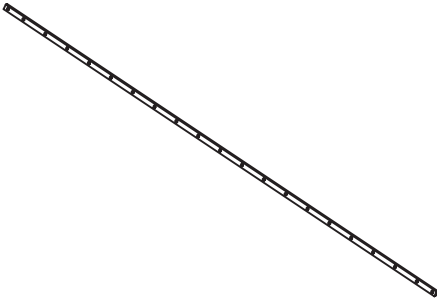
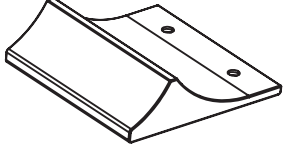



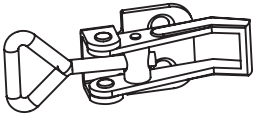
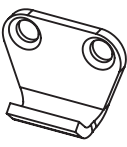


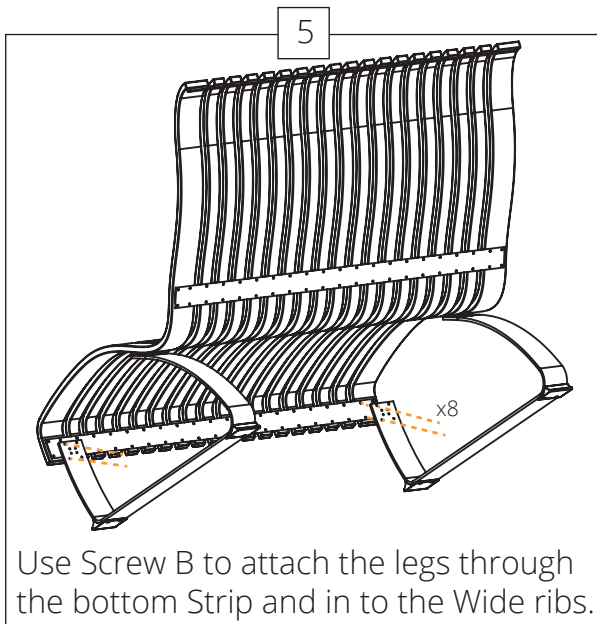
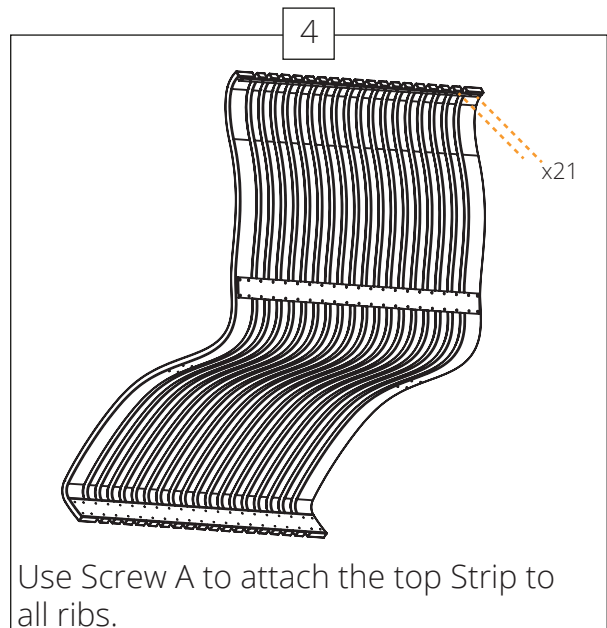
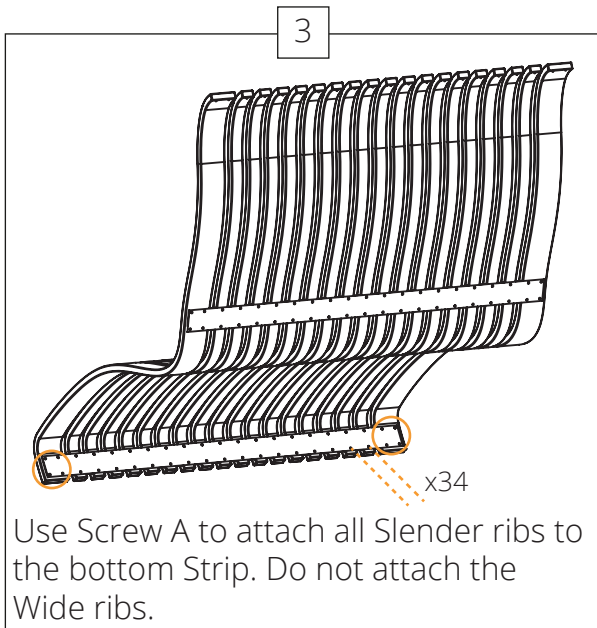
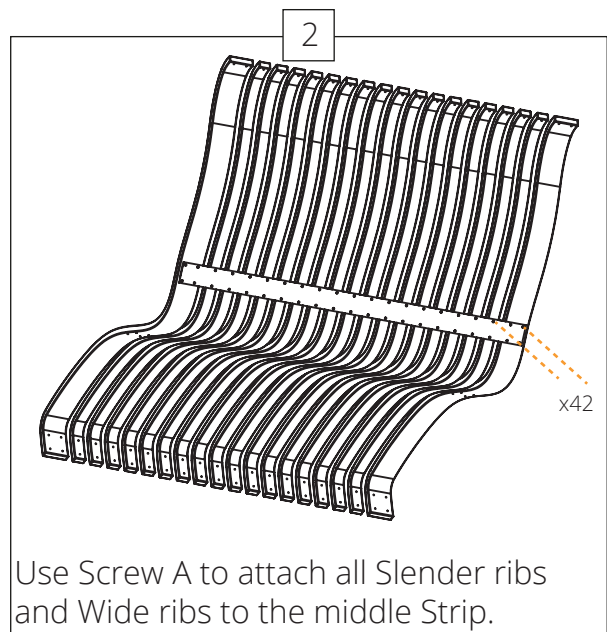
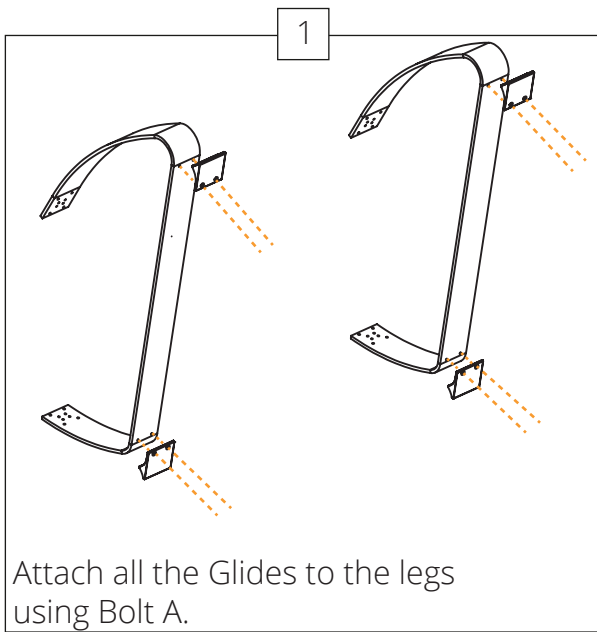
Metal



Plastic

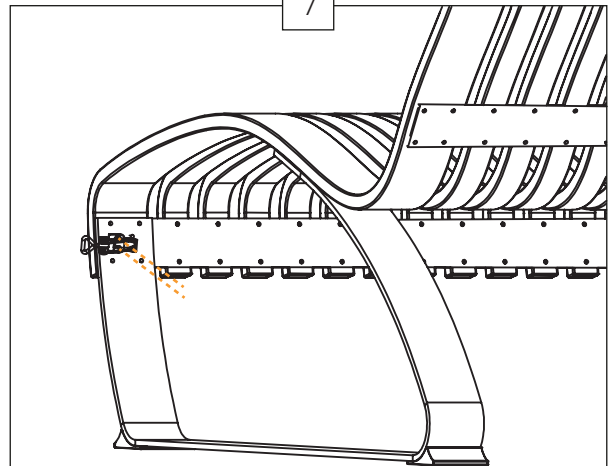


 <p>Nova C Lounge Leg x2</p>	 <p>Nova C Lounge Slender Rib x17</p>	 <p>Nova C Lounge Wide Rib x2</p>
 <p>Nova C Lounge xx Strip x2</p>	 <p>Nova C Lounge xx Strip Top x1</p>	 <p>Nova C Series Single Glides x4</p>
 Screw A x97  Bolt A x16  Screw B x16	 Drawbolt Catch Arm x2  Drawbolt Catch Hook x2	



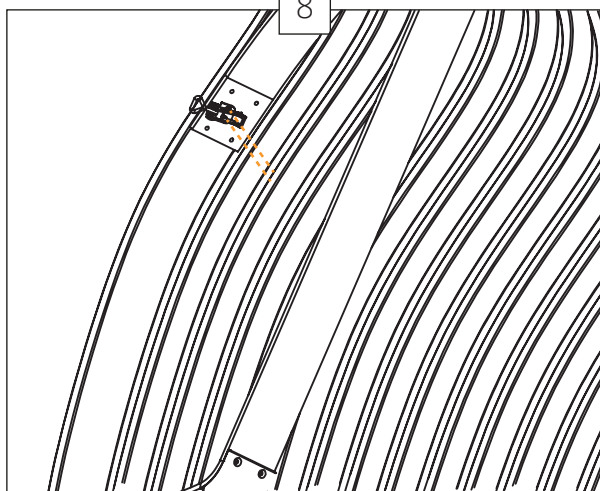
Note: if you have a **Lounge** with Table, do not complete step 7-10. See assembly instructions for **Lounge** Table.

7



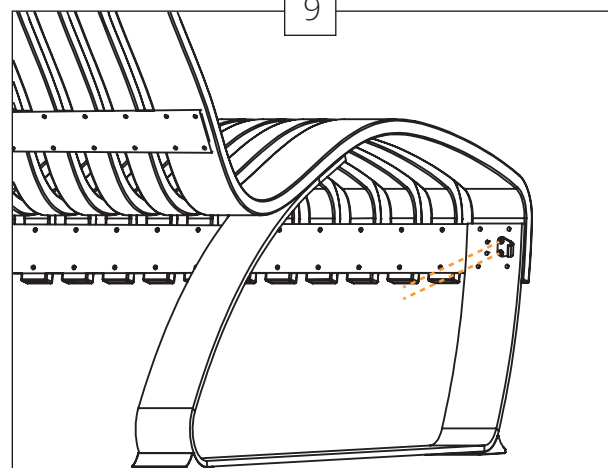
Use Bolt A to attach the Drawbolt Catch Arm to the leg.

8



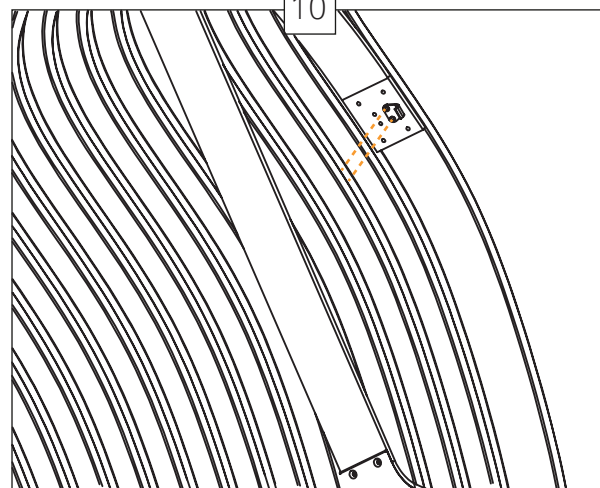
Use Bolt A to attach the Drawbolt Catch Arm to the leg under the seat.

9



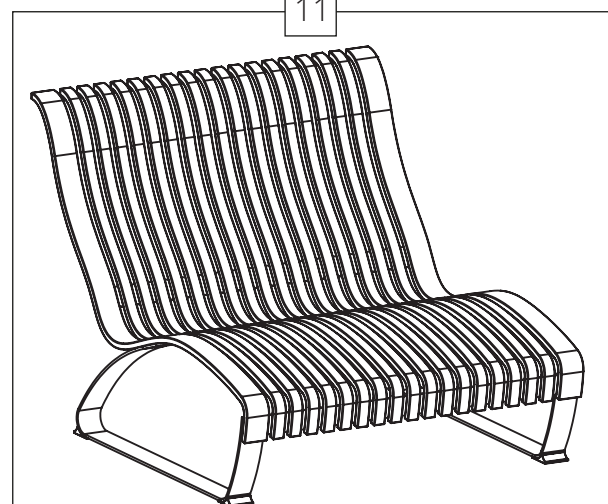
Use Bolt A to attach the Drawbolt Catch Hook to the leg.

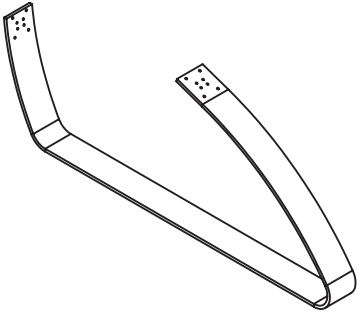
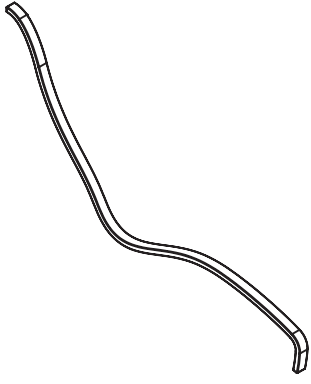
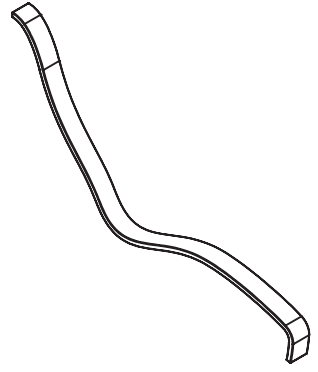
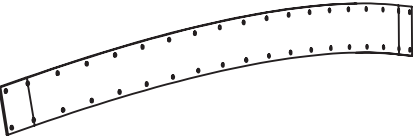

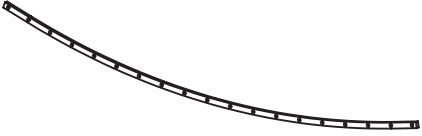
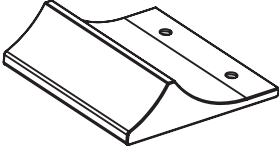
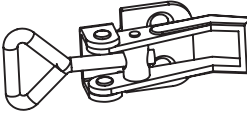
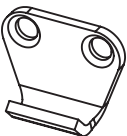


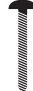
10

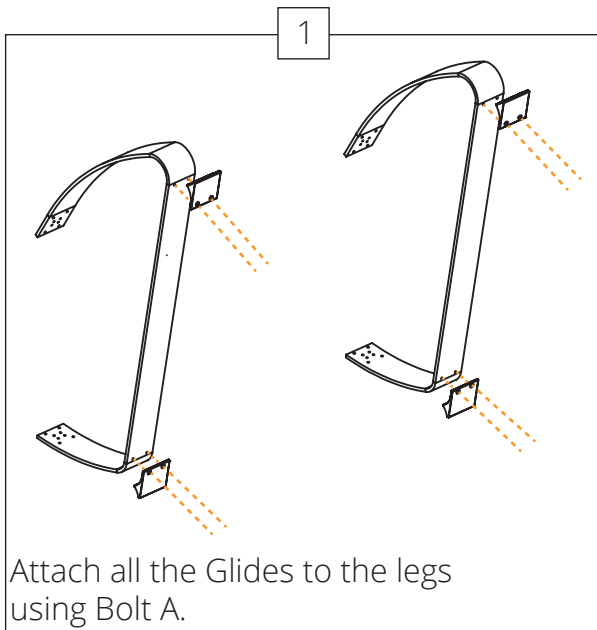


Use Bolt A to attach the Drawbolt Catch Hook to the leg under the seat.

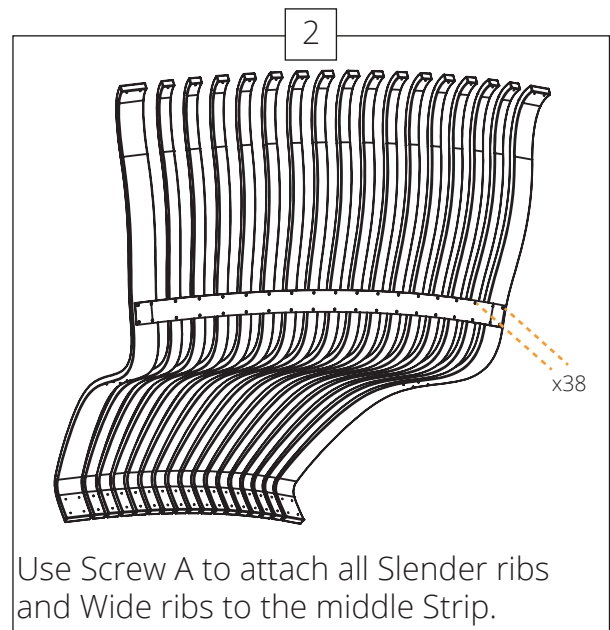
11



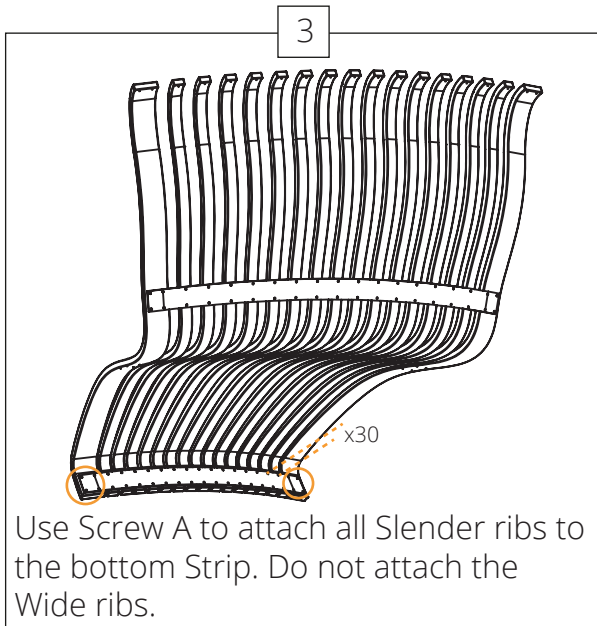
 <p>Nova C Lounge Leg x2</p>	 <p>Nova C Lounge Slender Rib x17</p>	 <p>Nova C Lounge Wide Rib x2</p>
 <p>Nova C Lounge xx M Strip x1</p>	 <p>Nova C Lounge xx S Strip x1</p>	 <p>Nova C Lounge xx Strip Top x1</p>
 <p>Nova C Series Single Glides x4</p>	 <p>Drawbolt Catch Arm x2</p>  <p>Drawbolt Catch Hook x2</p>	 <p>Screw A x97</p>  <p>Bolt A x16</p>  <p>Screw B x16</p>



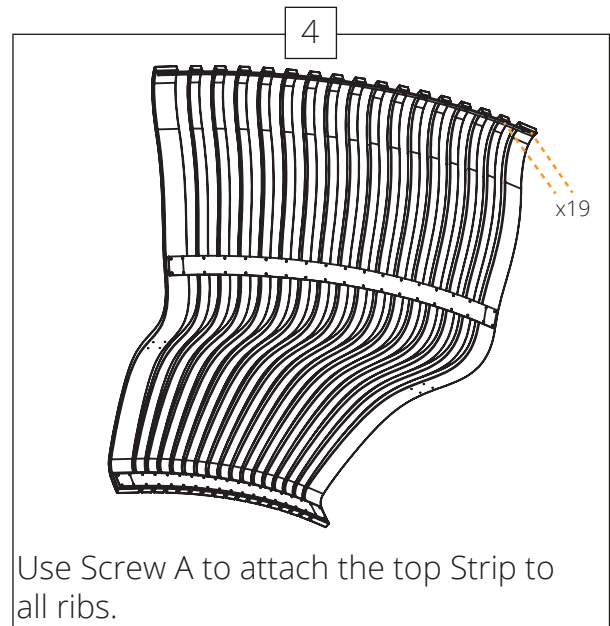
Attach all the Glides to the legs using Bolt A.



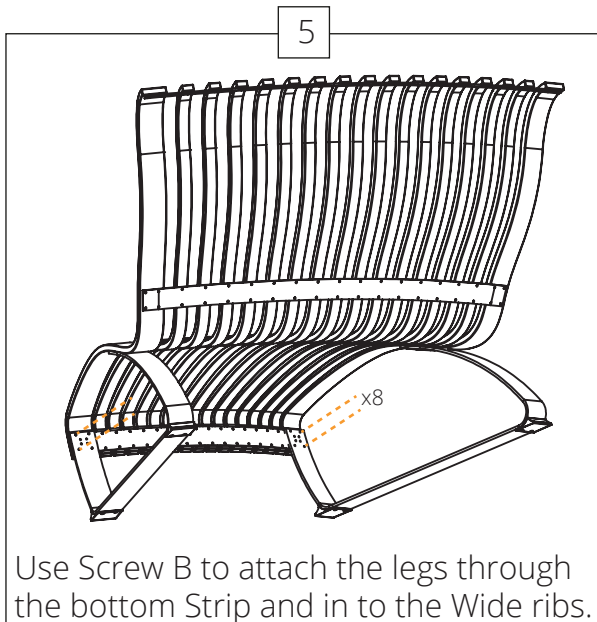
Use Screw A to attach all Slender ribs and Wide ribs to the middle Strip.



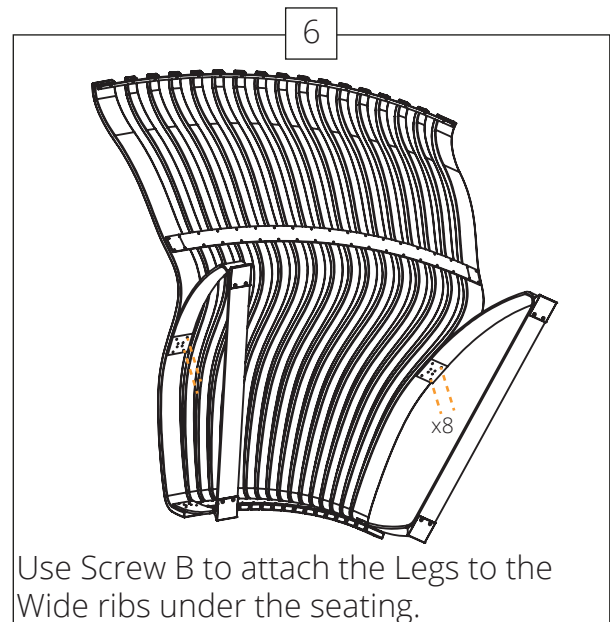
Use Screw A to attach all Slender ribs to the bottom Strip. Do not attach the Wide ribs.



Use Screw A to attach the top Strip to all ribs.

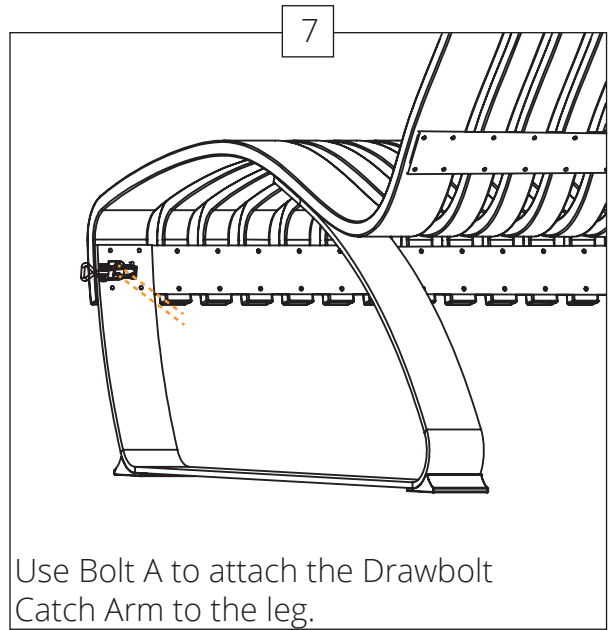


Use Screw B to attach the legs through the bottom Strip and in to the Wide ribs.

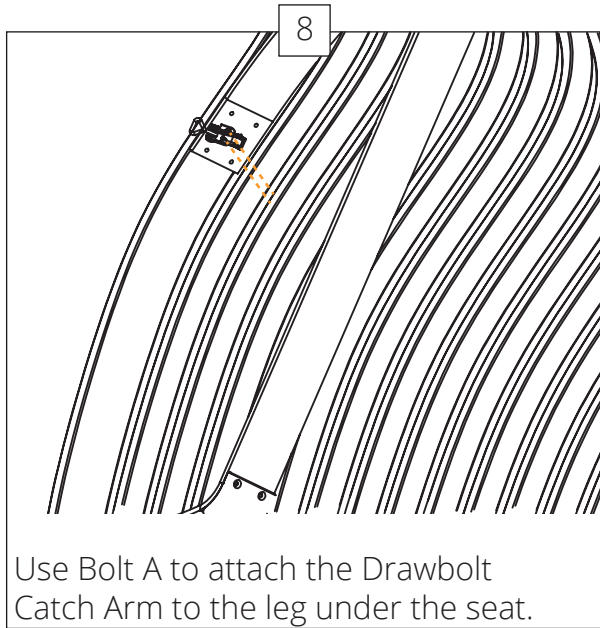


Use Screw B to attach the Legs to the Wide ribs under the seating.

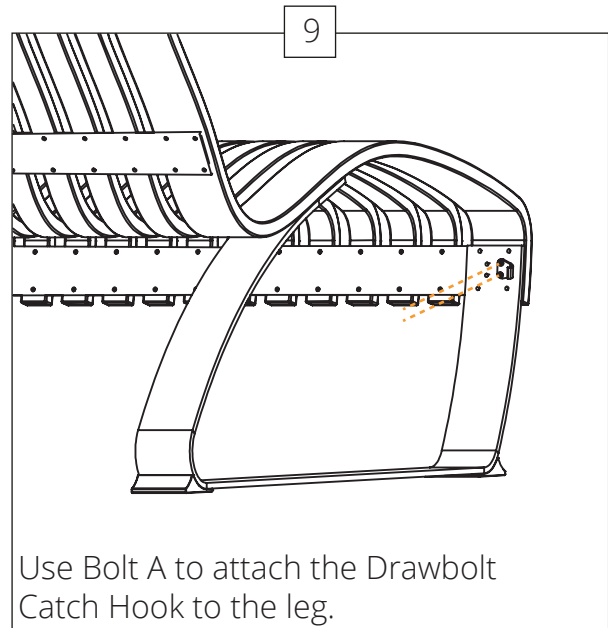
Note: if you have a **lounge** with Table, do not complete step 7-10. See assembly instructions for **Lounge Table**.



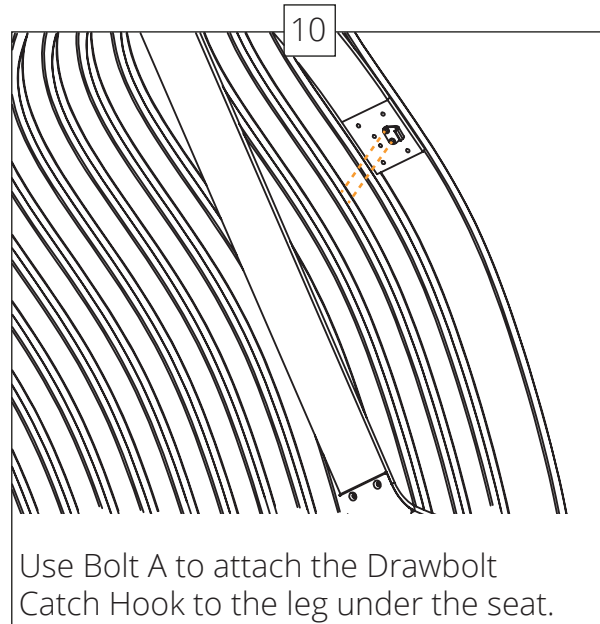
Use Bolt A to attach the Drawbolt Catch Arm to the leg.



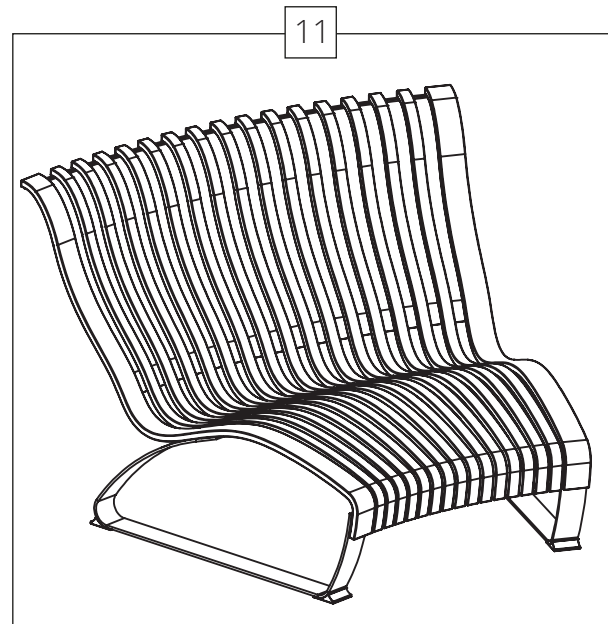
Use Bolt A to attach the Drawbolt Catch Arm to the leg under the seat.

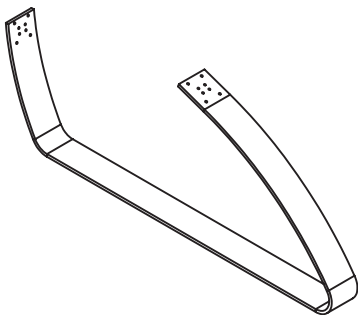
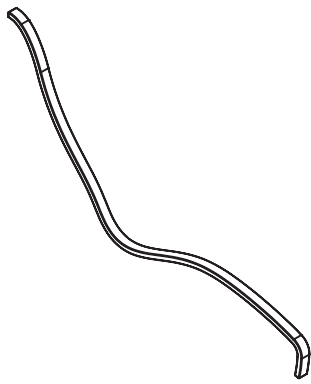
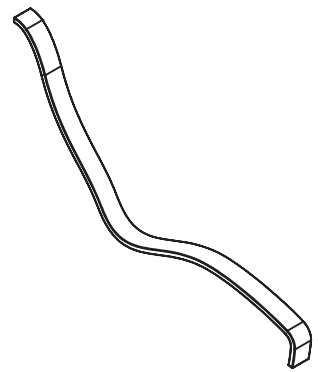
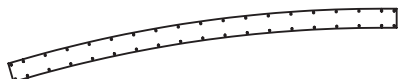
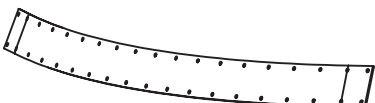
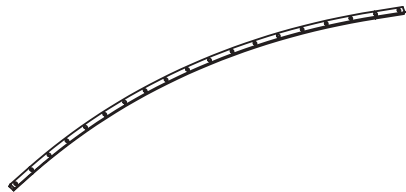
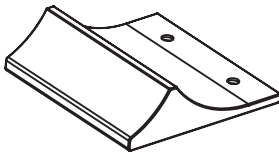
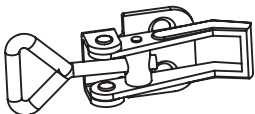
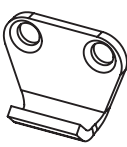


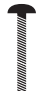


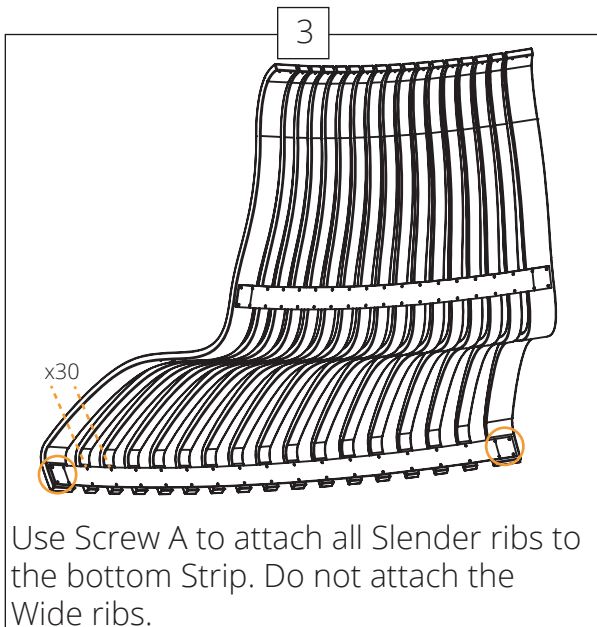
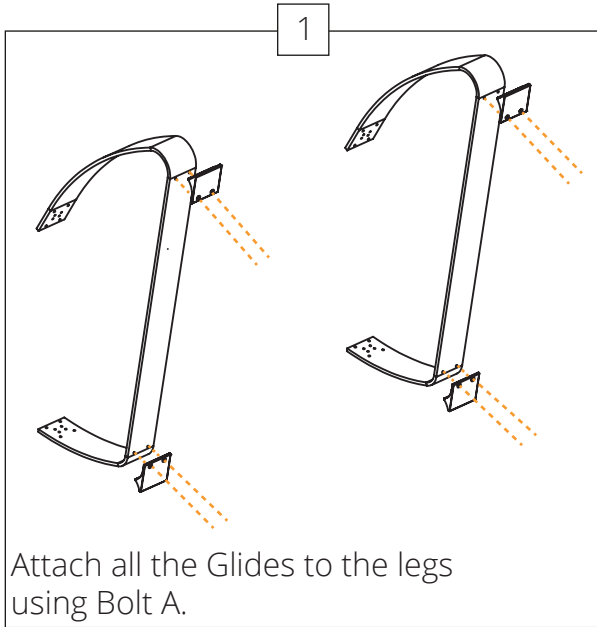
Use Bolt A to attach the Drawbolt Catch Hook to the leg.

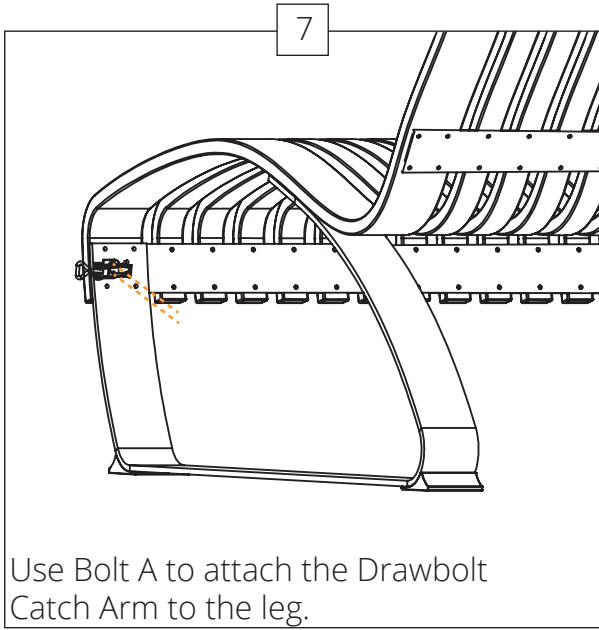


Use Bolt A to attach the Drawbolt Catch Hook to the leg under the seat.

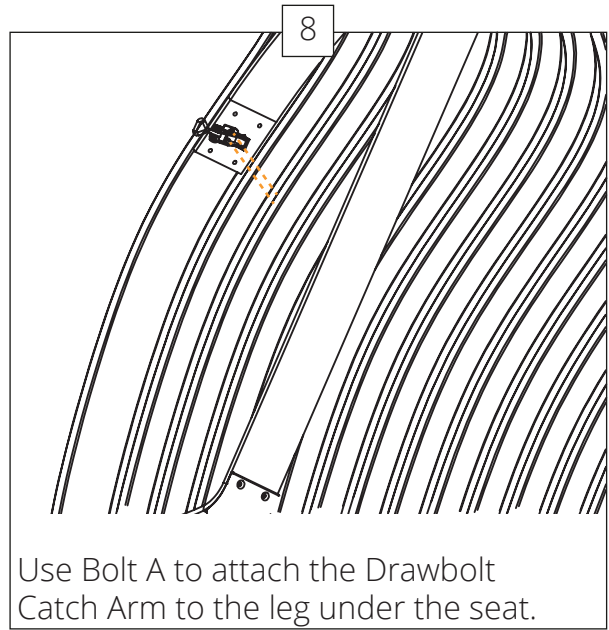


 <p>Nova C Lounge Leg x2</p>	 <p>Nova C Lounge Slender Rib x15</p>	 <p>Nova C Lounge Wide Rib x2</p>
 <p>Nova C Lounge xx M Strip x1</p>	 <p>Nova C Lounge xx S Strip x1</p>	 <p>Nova C Lounge xx Strip Top x1</p>
 <p>Nova C Series Single Glides x4</p>	 <p>Drawbolt Catch Arm x2</p>  <p>Drawbolt Catch Hook x2</p>	 <p>Screw A x97</p>  <p>Bolt A x16</p>  <p>Screw B x16</p>

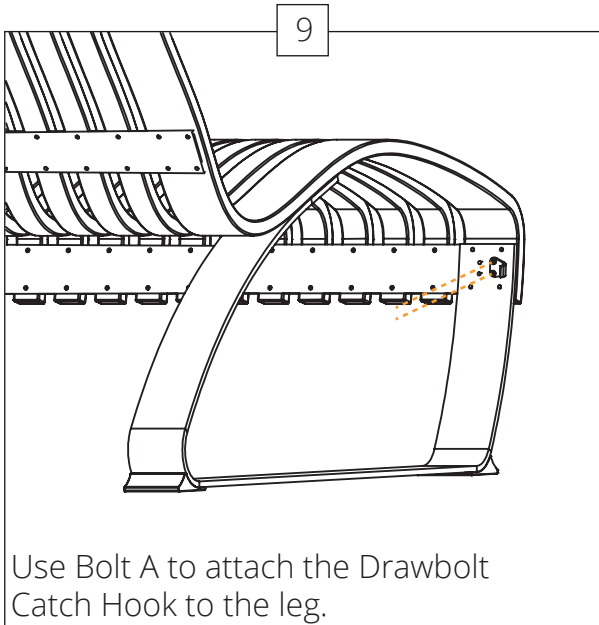




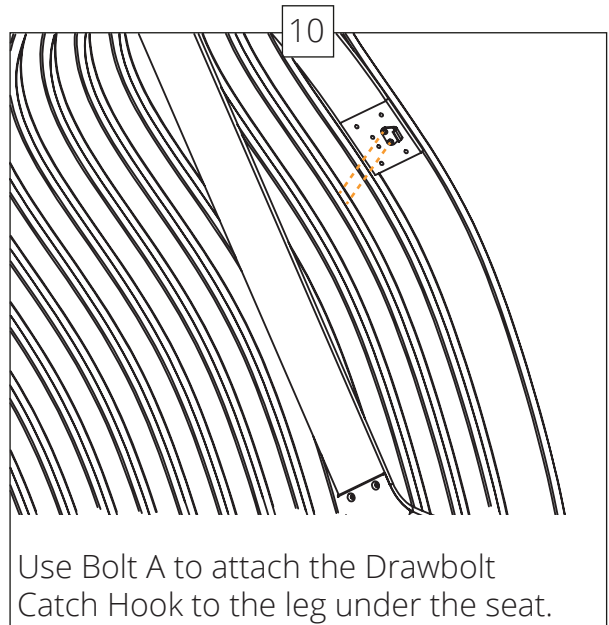
Use Bolt A to attach the Drawbolt Catch Arm to the leg.



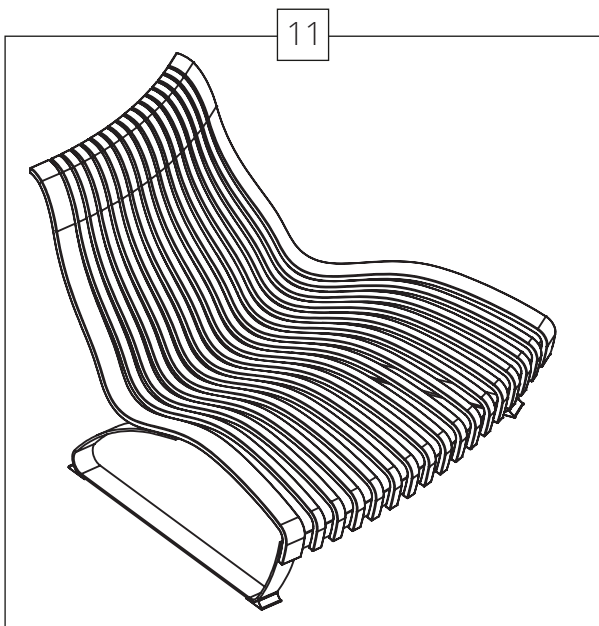
Use Bolt A to attach the Drawbolt Catch Arm to the leg under the seat.

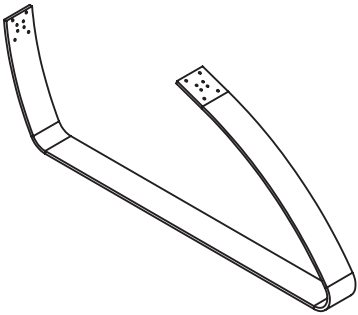
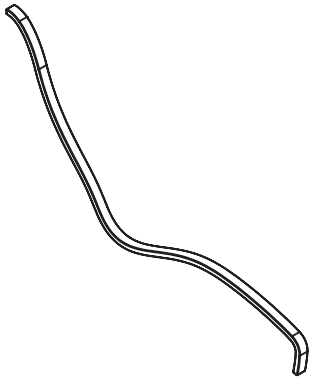
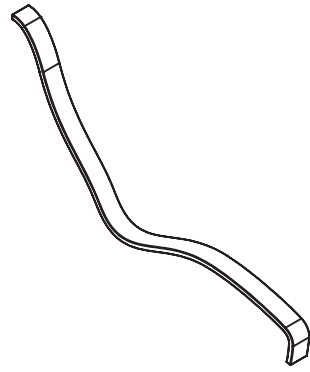
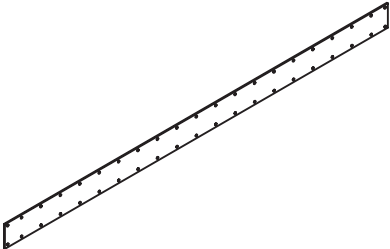

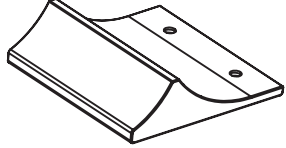
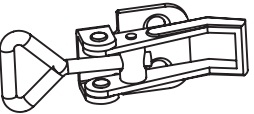
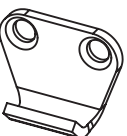


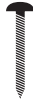


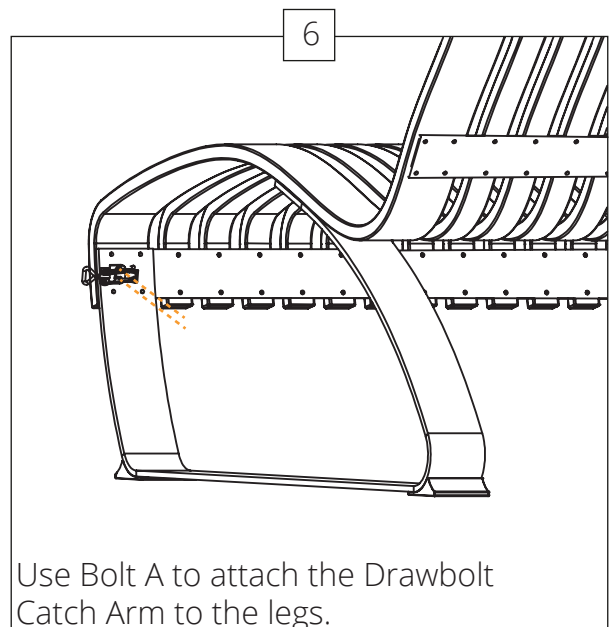
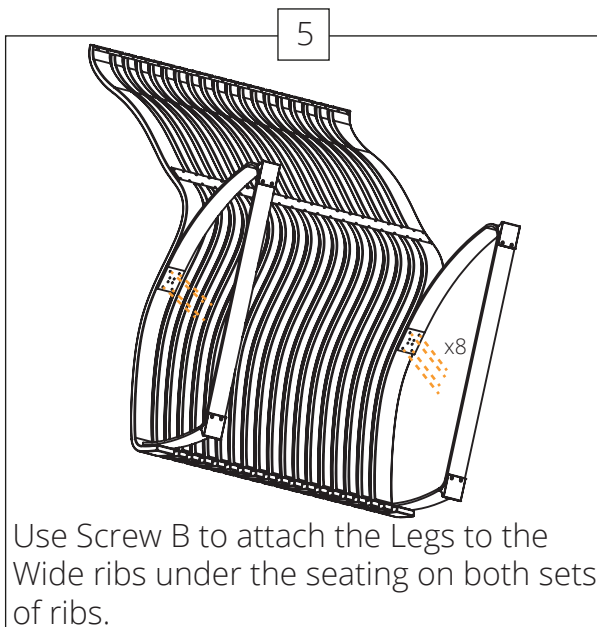
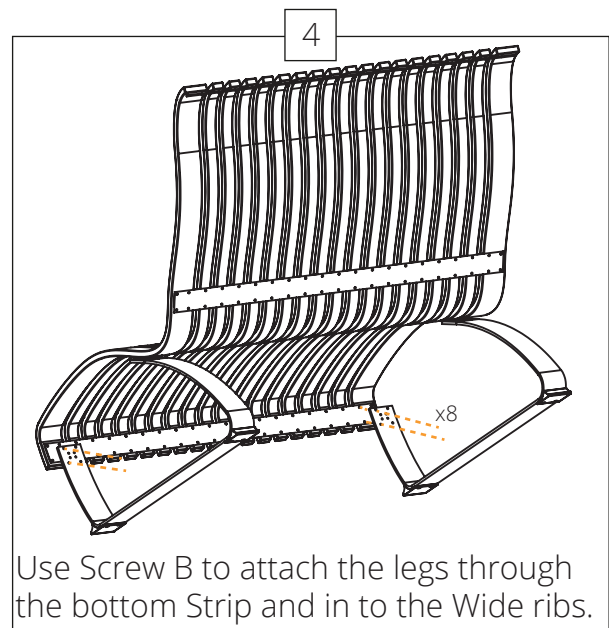
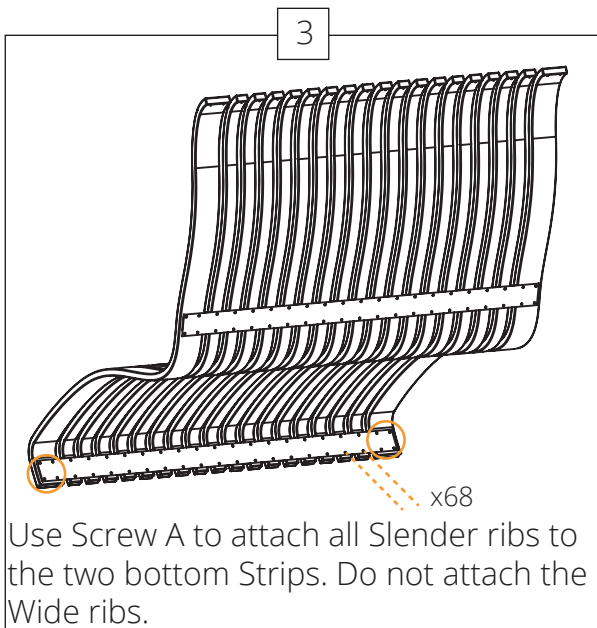
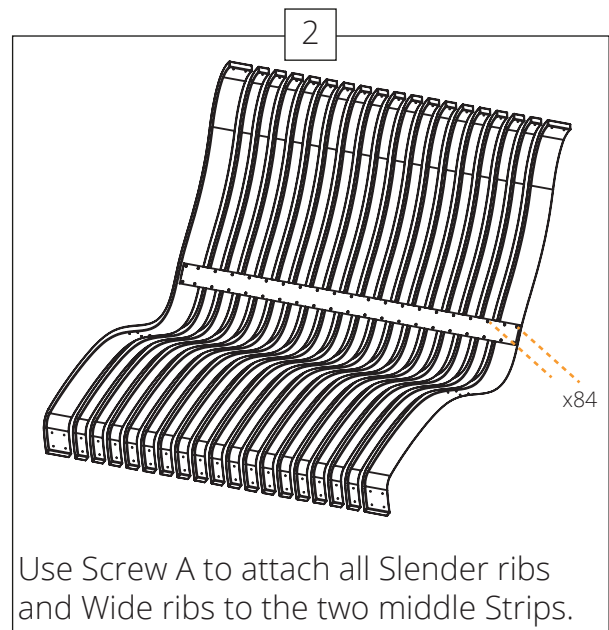
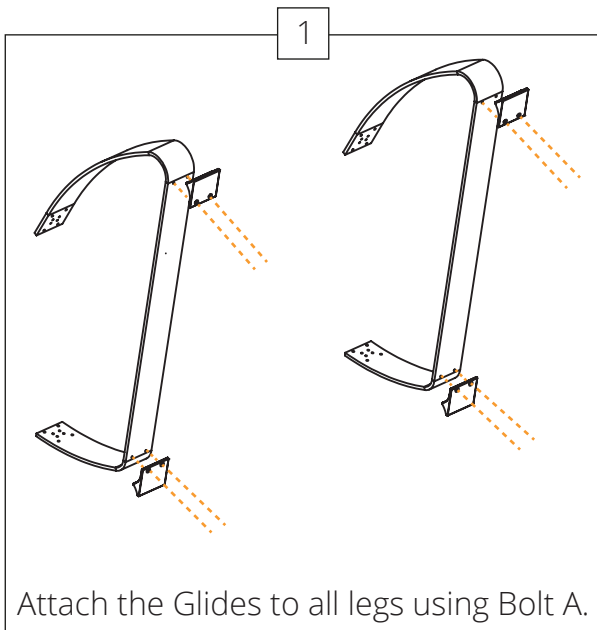
Use Bolt A to attach the Drawbolt Catch Hook to the leg.

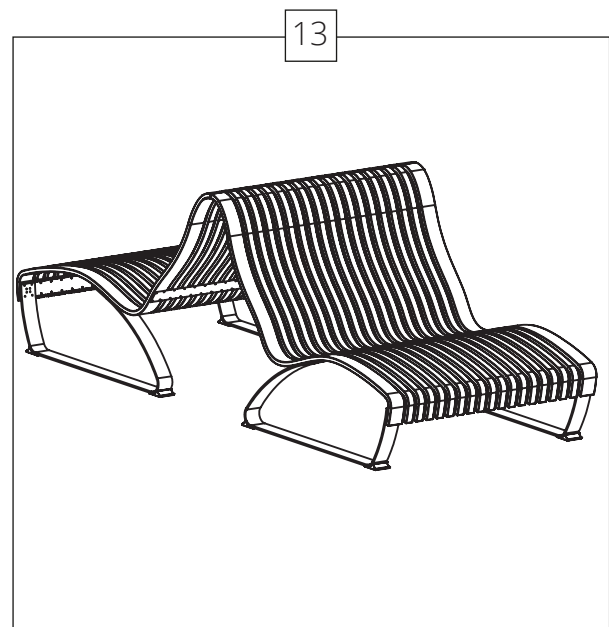
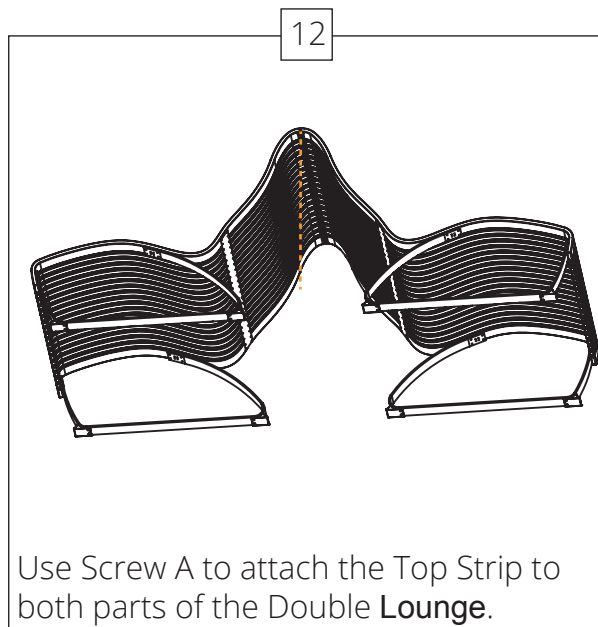
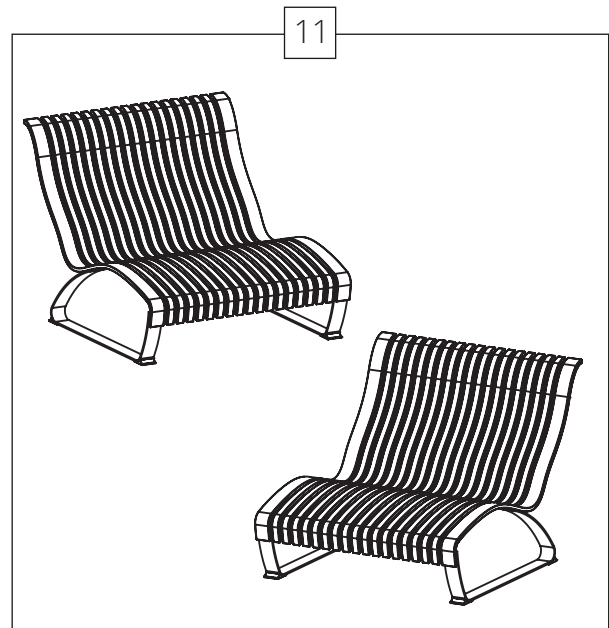
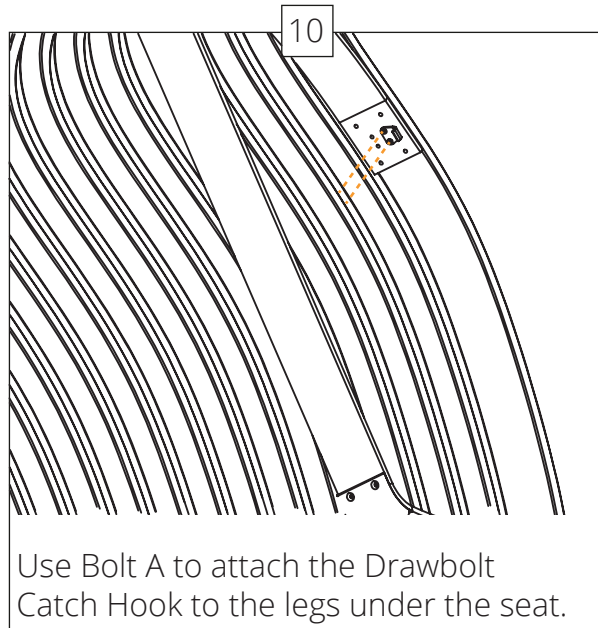
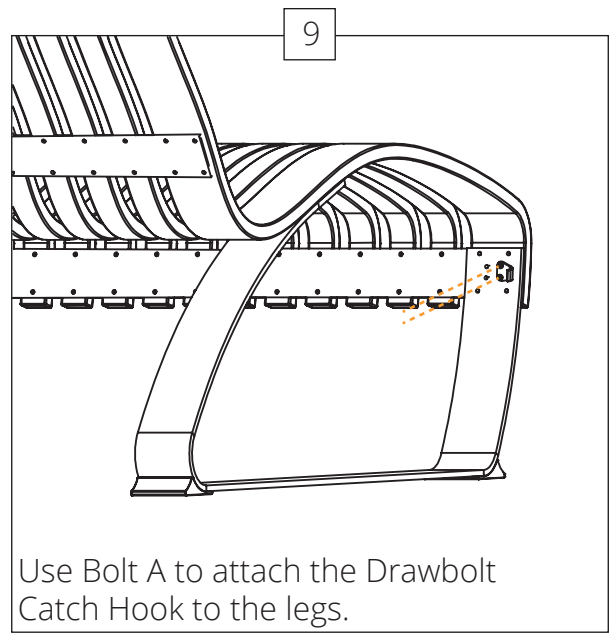
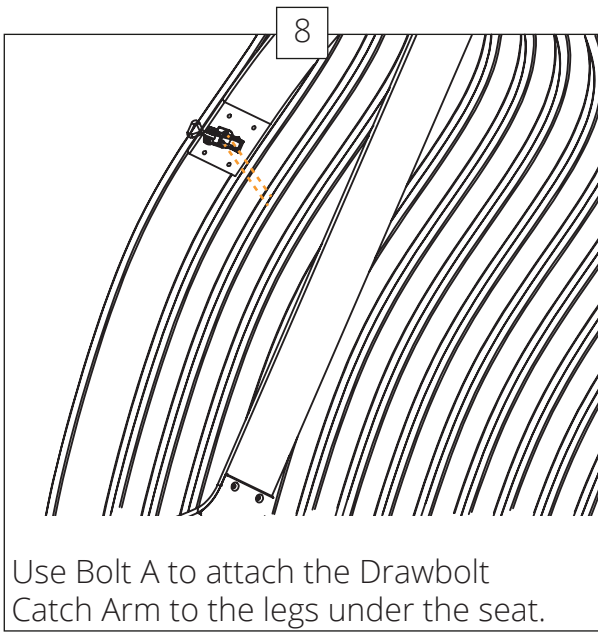


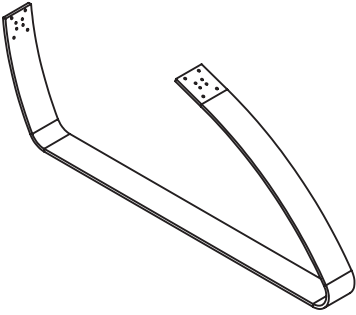
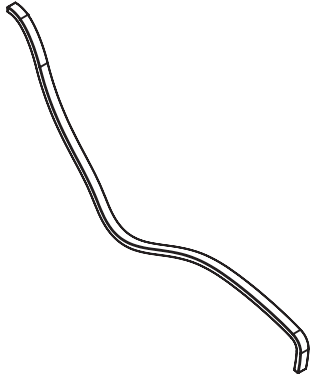
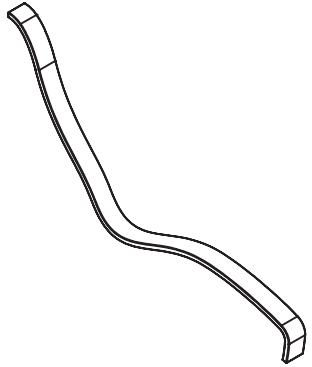
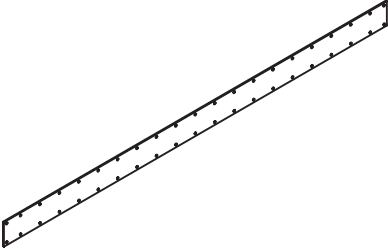
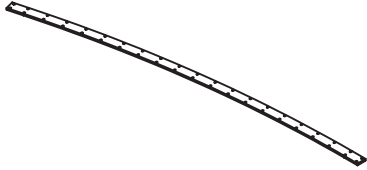
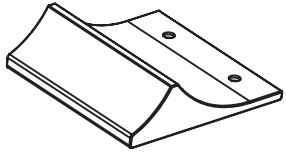
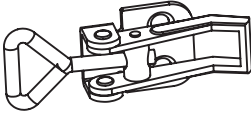




Use Bolt A to attach the Drawbolt Catch Hook to the leg under the seat.

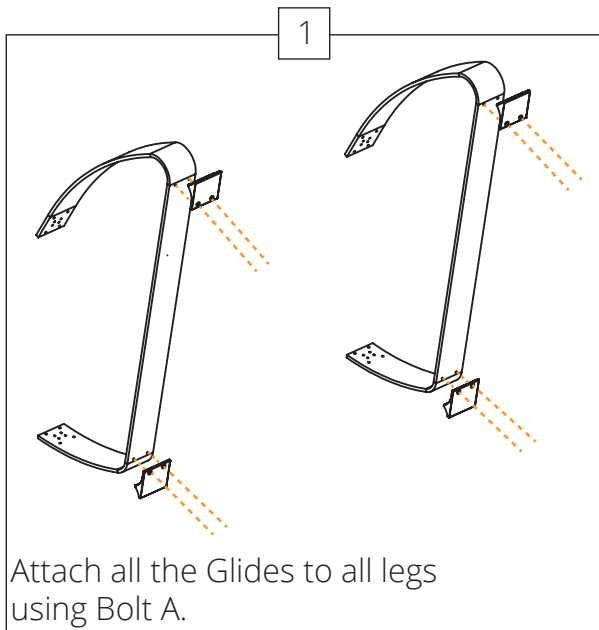


 <p>Nova C Lounge Leg x4</p>	 <p>Nova C Lounge Slender Rib x34</p>	 <p>Nova C Lounge Wide Rib x4</p>
 <p>Nova C Lounge xx Strip x2</p>	 <p>Nova C Lounge xx Double Strip Top x1</p>	 <p>Nova C Series Single Glides x8</p>
 <p>Drawbolt Catch Arm x4</p>  <p>Drawbolt Catch Hook x4</p>	 <p>Screw A x194</p>  <p>Bolt A x32</p>  <p>Screw B x32</p>	

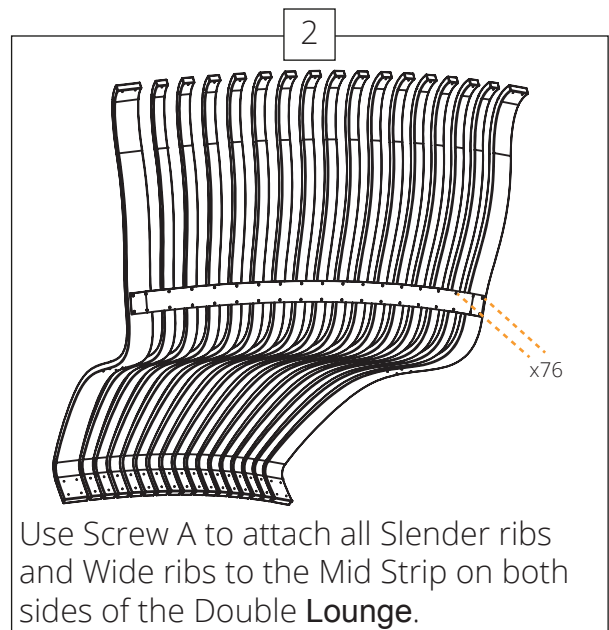




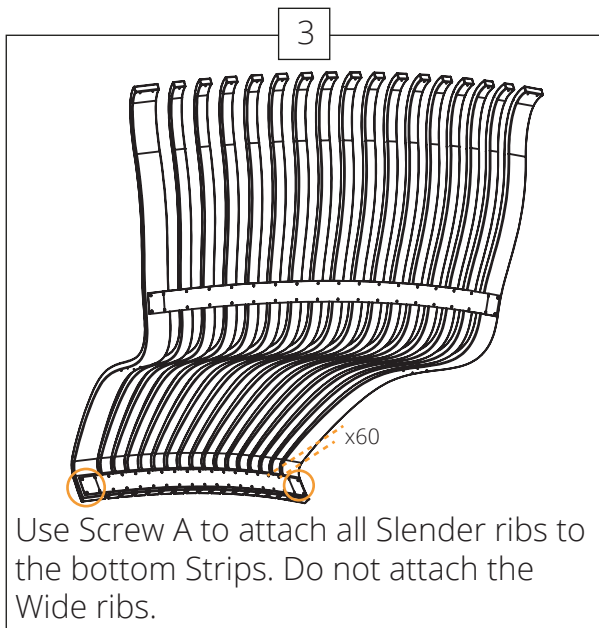
 <p>Nova C Lounge Leg x4</p>	 <p>Nova C Lounge Slender Rib x34</p>	 <p>Nova C Lounge Wide Rib x4</p>
 <p>Nova C Lounge xx Strip x2</p>	 <p>Nova C Lounge xx Double Strip Top x1</p>	 <p>Nova C Series Single Glides x8</p>
 <p>Drawbolt Catch Arm x4</p>  <p>Drawbolt Catch Hook x4</p>	 <p>Screw A x194</p>  <p>Bolt A x32</p>  <p>Screw B x32</p>	



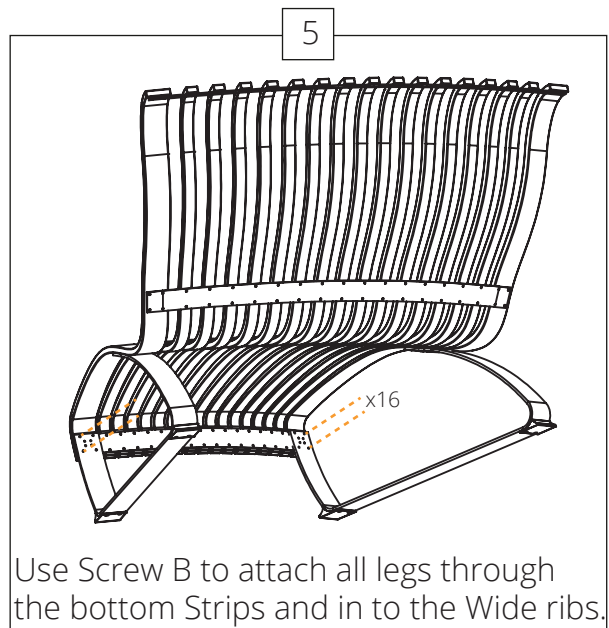
Attach all the Glides to all legs using Bolt A.



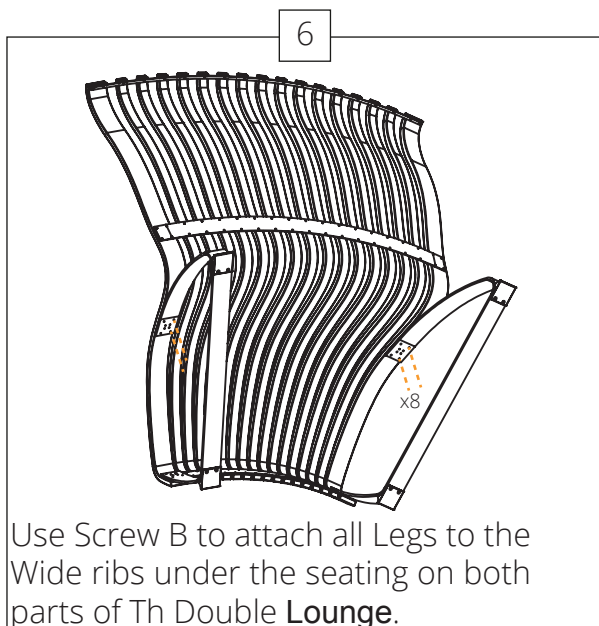
Use Screw A to attach all Slender ribs and Wide ribs to the Mid Strip on both sides of the Double Lounge.



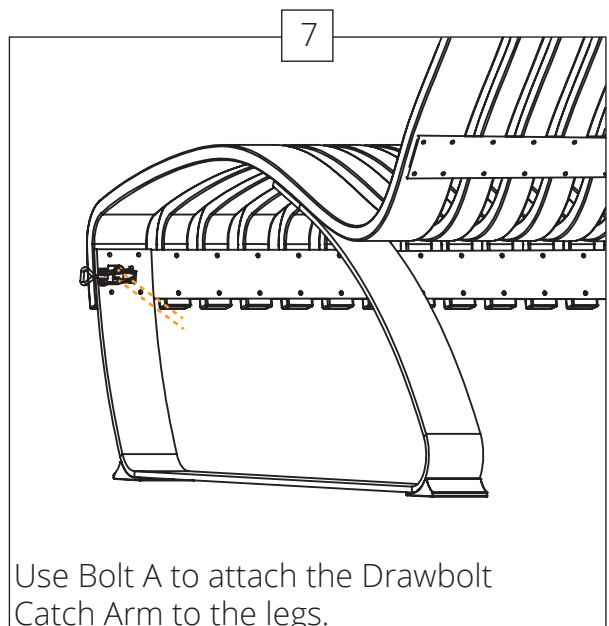
Use Screw A to attach all Slender ribs to the bottom Strips. Do not attach the Wide ribs.



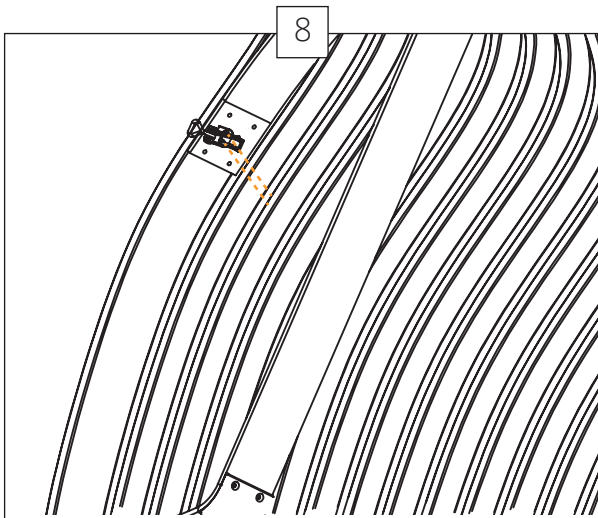
Use Screw B to attach all legs through the bottom Strips and in to the Wide ribs.



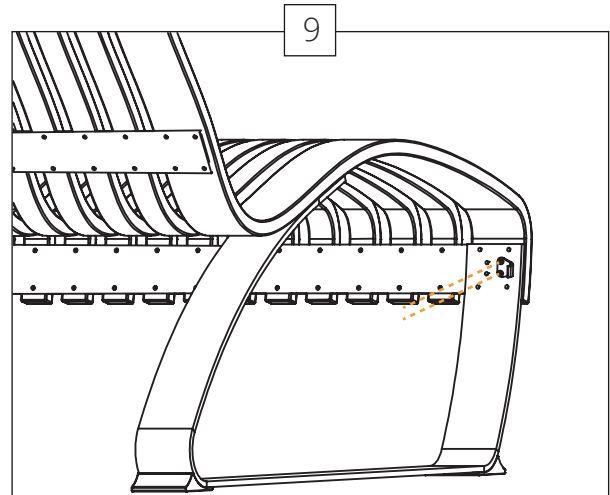
Use Screw B to attach all Legs to the Wide ribs under the seating on both parts of Th Double Lounge.



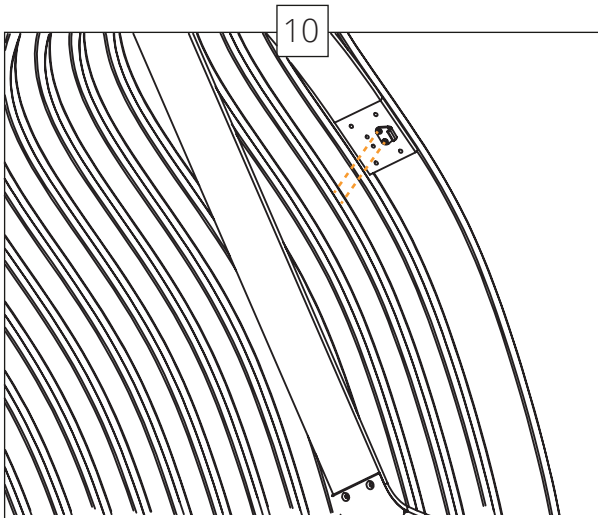
Use Bolt A to attach the Drawbolt Catch Arm to the legs.



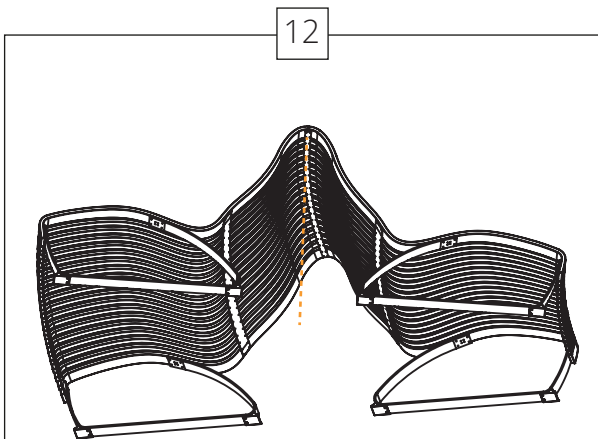
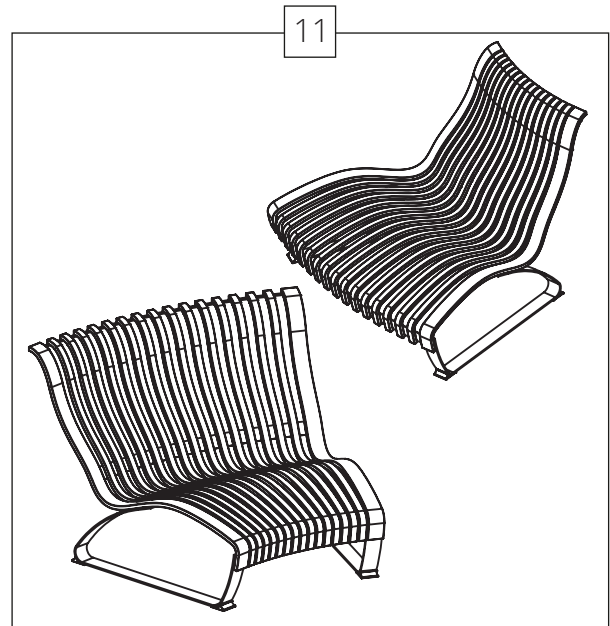
Use Bolt A to attach the Drawbolt Catch Arm to the legs under the seats.



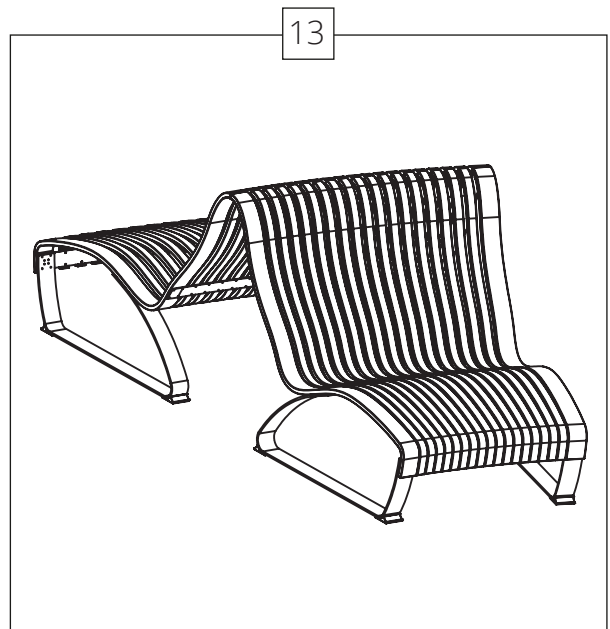
Use Bolt A to attach the Drawbolt Catch Hook to the legs.



Use Bolt A to attach the Drawbolt Catch Hook to the legs under the seats.



Use Screw A to attach the Curved Top Strip to both parts of the Double Curved Lounge.



G

Green Furniture Concept