

Ascent Double Modules

Ascent Series



GREEN
FURNITURE
CONCEPT



Index

Modules	p3
Recycling of parts	p4
Components of Double Modules	p5
Parts Ascent Double Back Straight	p6
Assembly instructions Ascent Double Back Straight	p7-8
Parts Ascent Double Back Curved	p9
Assembly instructions Ascent Double Back Curved	p10-11
Parts Ascent Double Bench Straight	p12
Assembly instructions Ascent Double Bench Straight	p13-14
Parts Ascent Double Bench Curved	p15
Assembly instructions Ascent Double Bench Curved	p16-17
Assembly instructions Leg leveler	p18



Ascent Series Modules

Ascent Double Back Straight

Straight double sided module with backrest.
Eight seats.



Ascent Double Back 60 degree

Curved double sided module with backrest.
Six seats.



Ascent Double Bench Straight

Straight double sided module without
backrest. Eight seats.



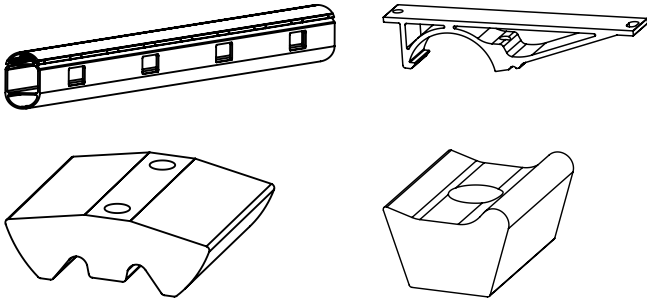
Ascent Double Bench 60 degree

Curved double sided module without
backrest. Six seats.



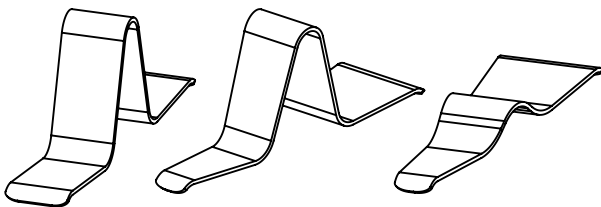


Recycling of parts



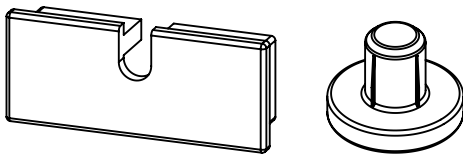
Aluminium parts:

The beam, seatbrackets, butterfly insert and the bracket clip are made from aluminium and should be separated from the product and recycled as aluminium.



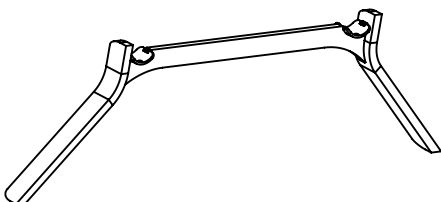
Wooden parts:

All versions of the seat slats should be separated from the product and recycled as wood.



Plastic parts:

The plastic lid and the glides are made from plastic and should be separated from the product and recycled as plastic.

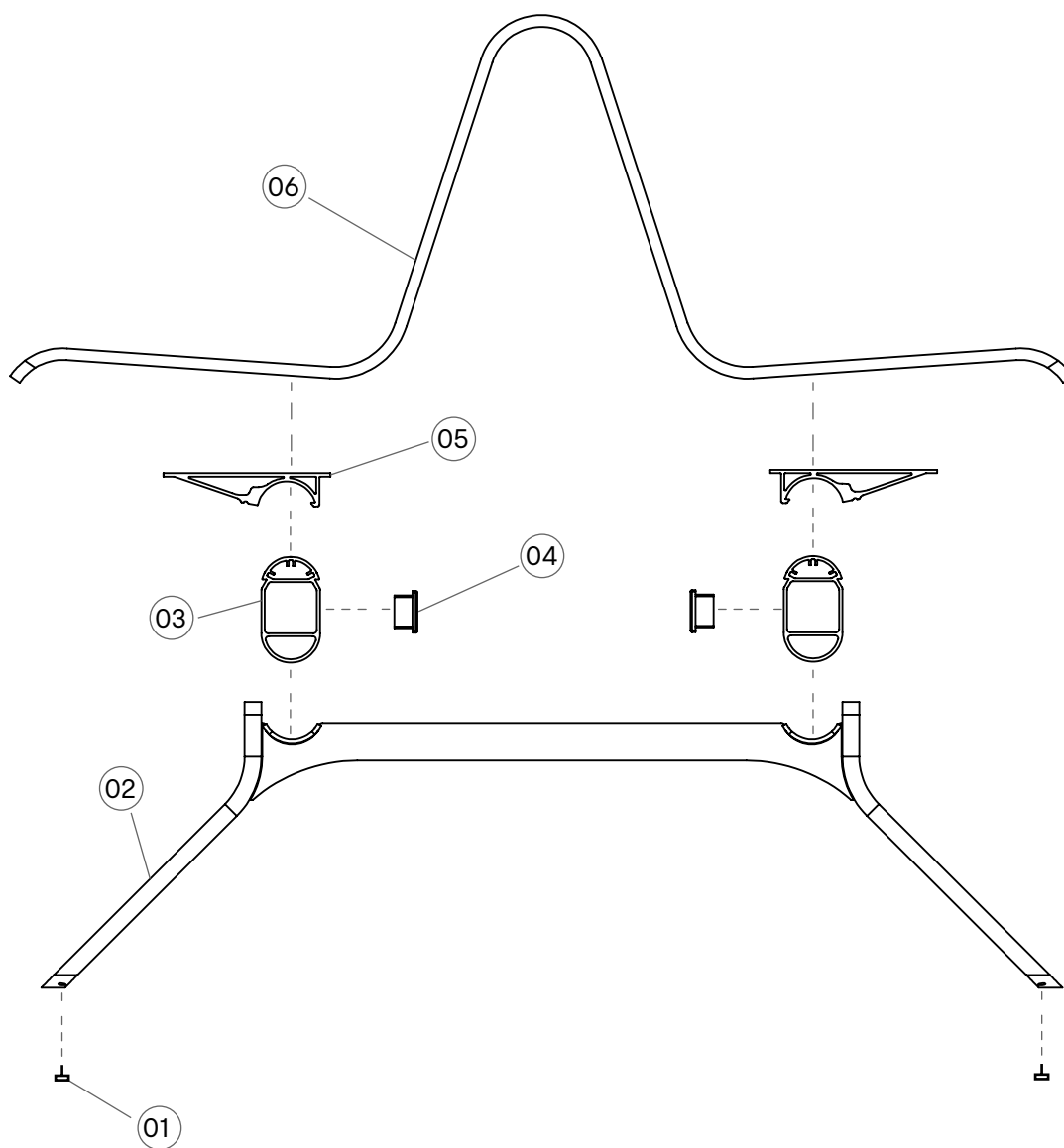


Steel parts:

The legs are made from steel and should therefore be separated and recycled as steel.



Components of Ascent Double Modules



01. Plastic Glide.

02. Steel Leg. Attached to beam with M8 screw.

03. Aluminum Beam.

04. Plastic Lid.

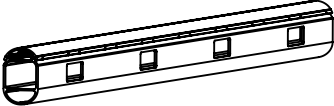
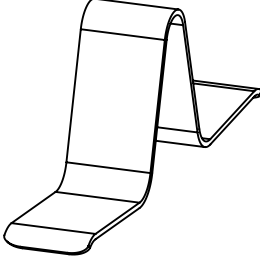
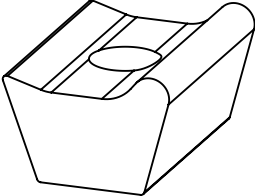
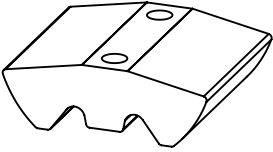
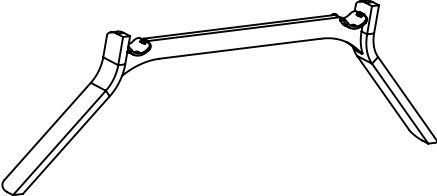
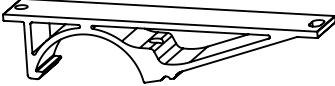
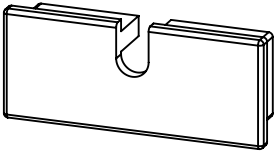
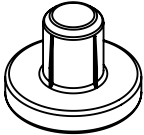
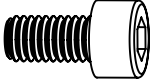
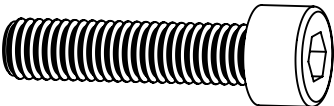
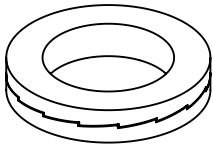
05. Aluminum Bracket. Attached to beam with M8 screw.

06. Wood Slat. Attached to bracket with M6 screw.



Parts

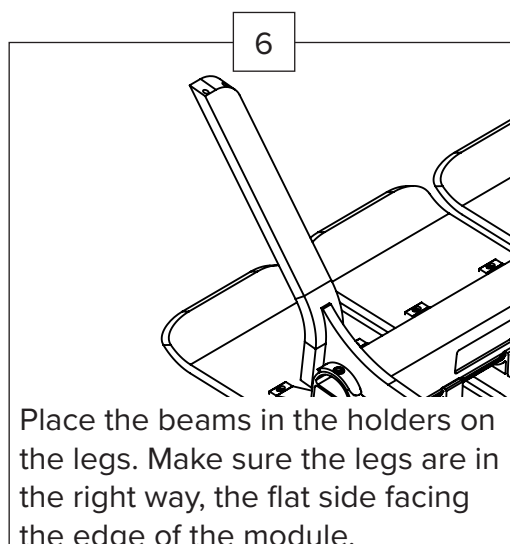
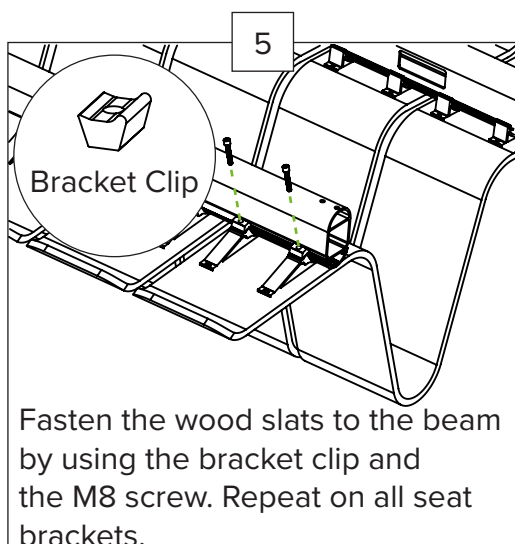
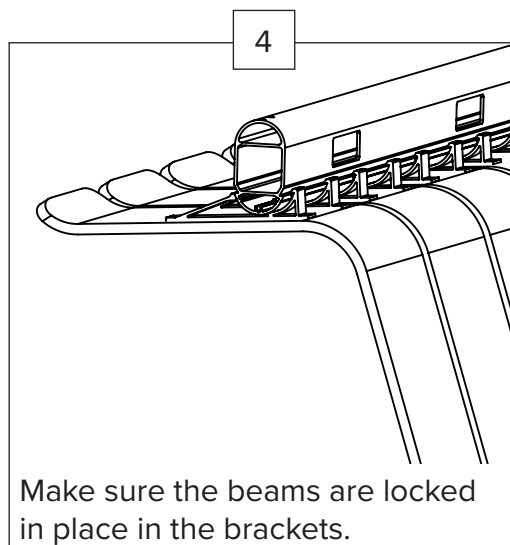
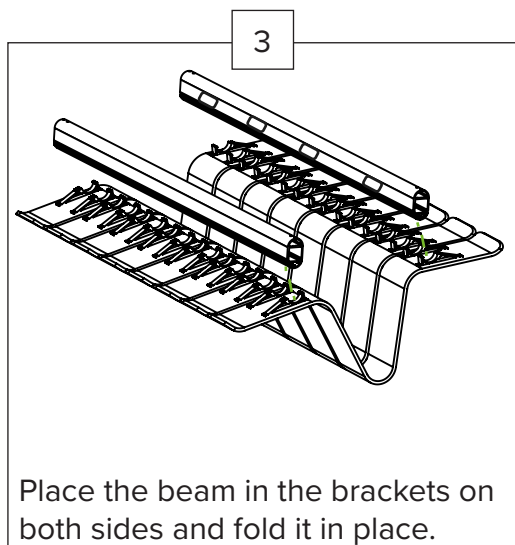
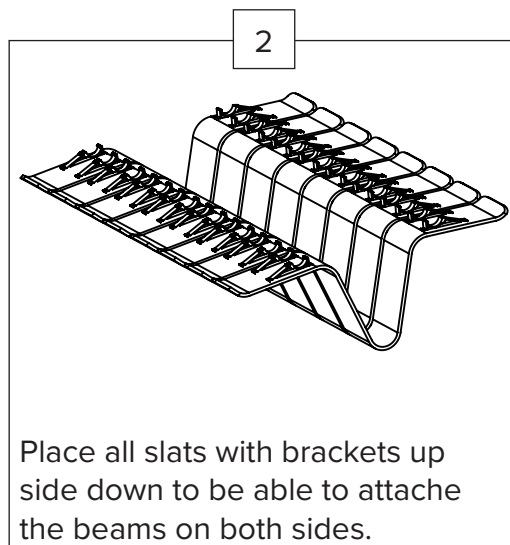
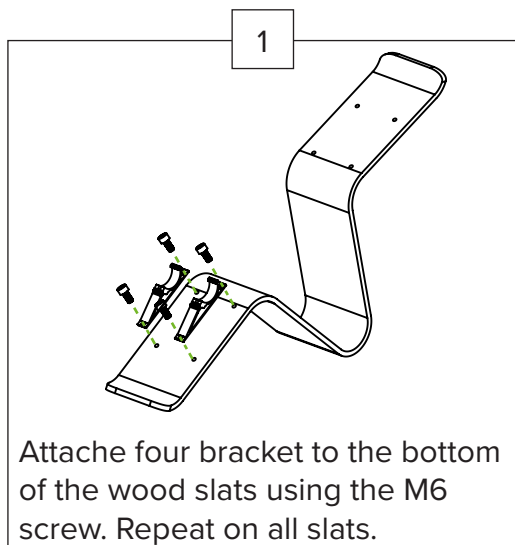
Ascent Double Back Straight

 <p>Beam Straight x2</p>	 <p>Wood Slats Straight x8</p>	 <p>Bracket Clip x32</p>
 <p>Beam Straight x4</p>	 <p>Double Leg x2</p>	 <p>Seat Bracket x32</p>
 <p>Cover Lid x8</p>	 <p>Glide x4</p>	 <p>Screw M6x12 x64</p>
 <p>Screw M8x35 x40</p>	 <p>Washer 8.7x13.5x2.5 x4</p>	



Assembly Instructions

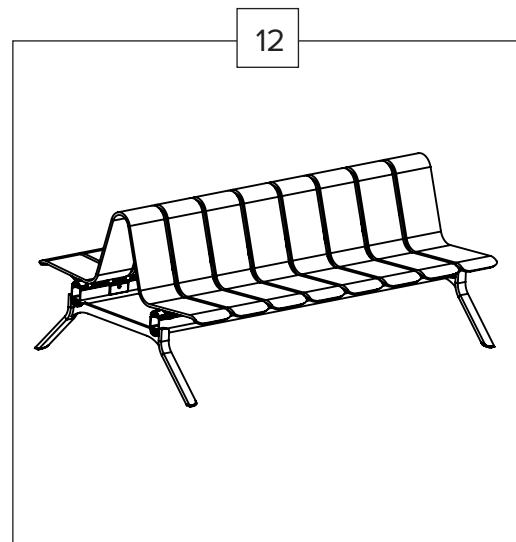
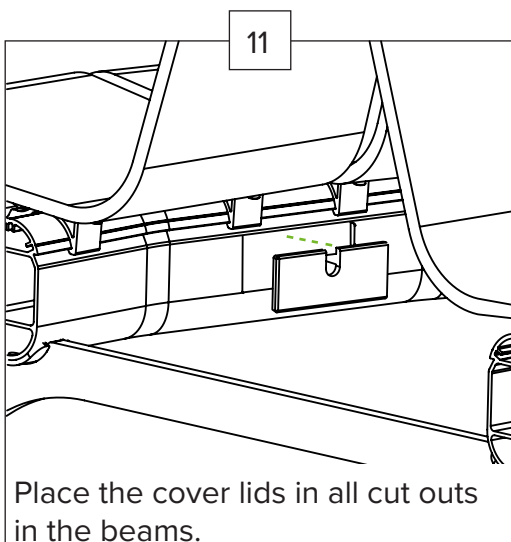
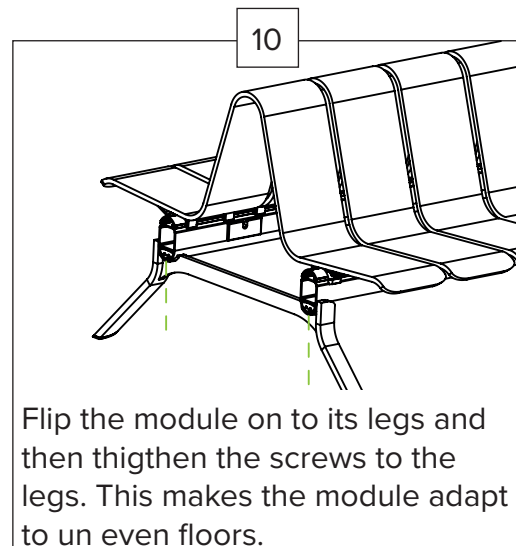
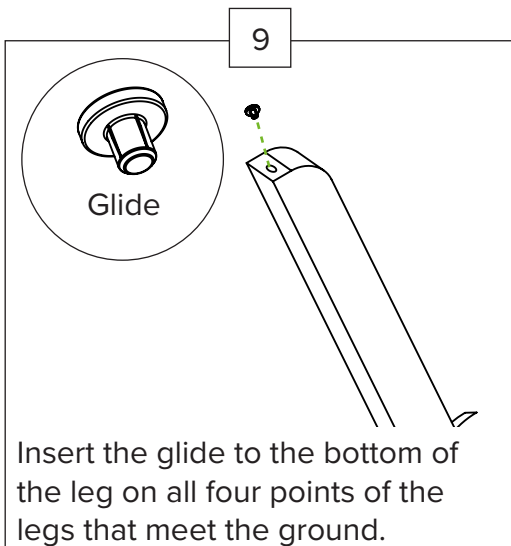
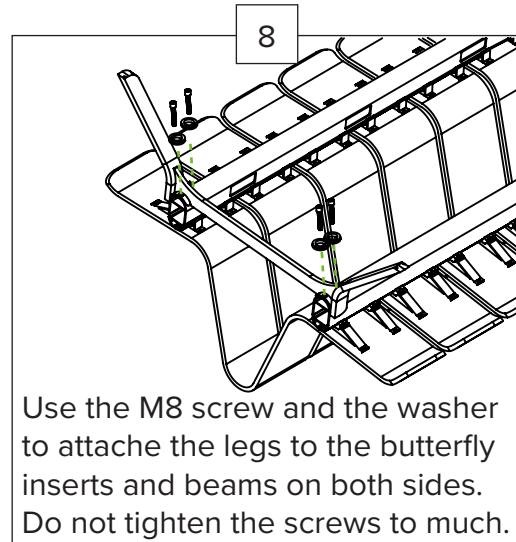
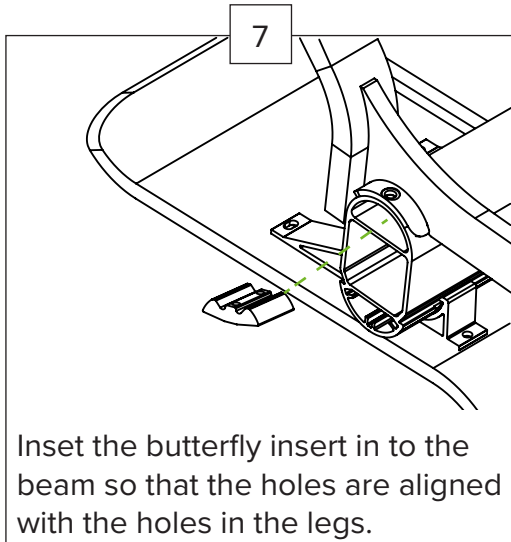
Ascent Double Back Straight





Assembly Instructions

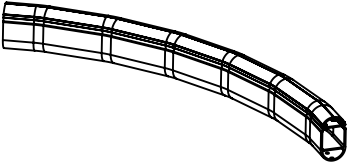
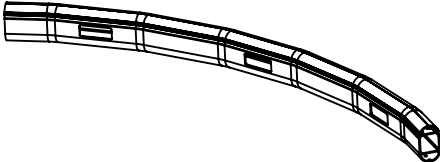
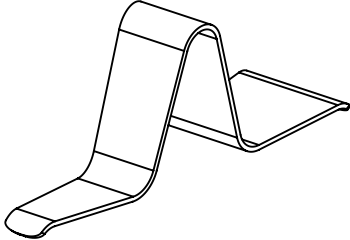
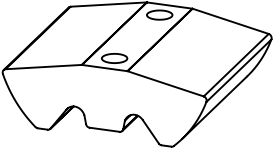
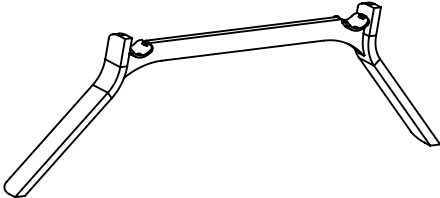
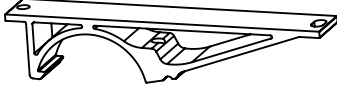
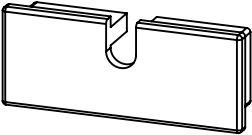
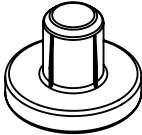
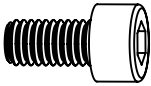
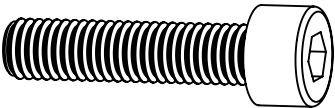
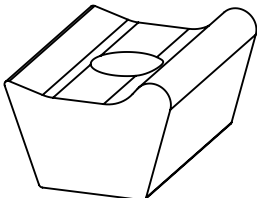
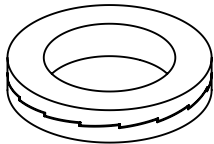
Ascent Double Back Straight





Parts

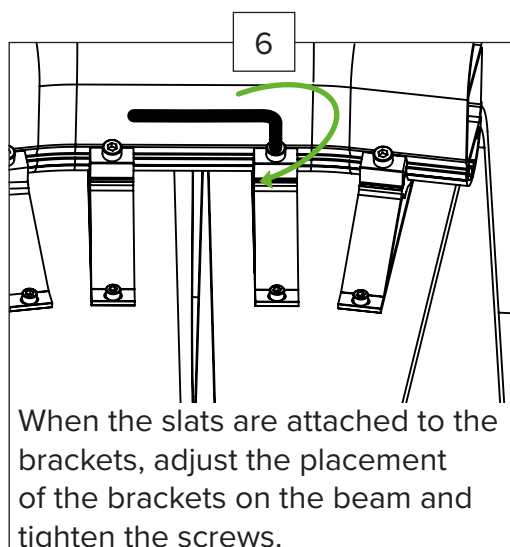
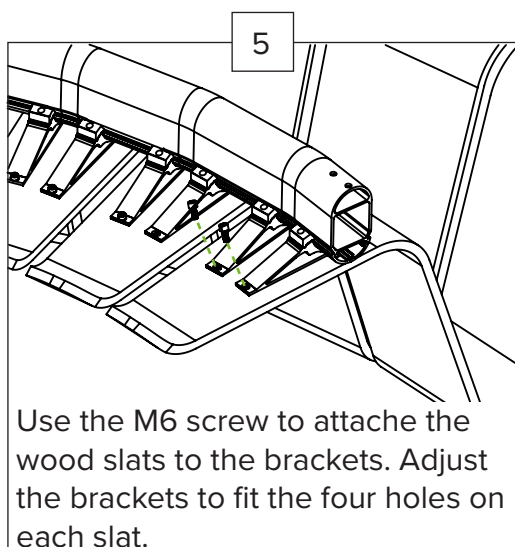
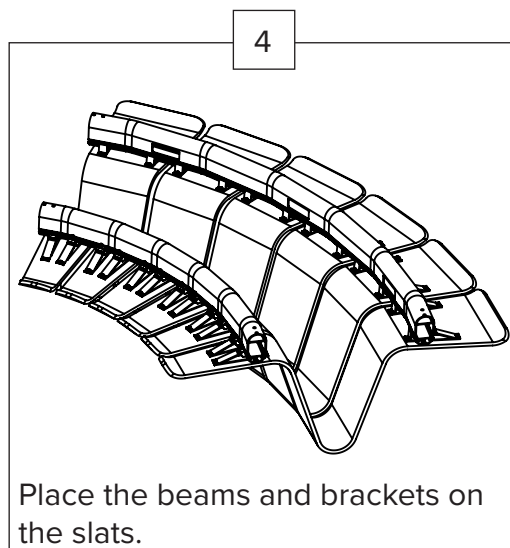
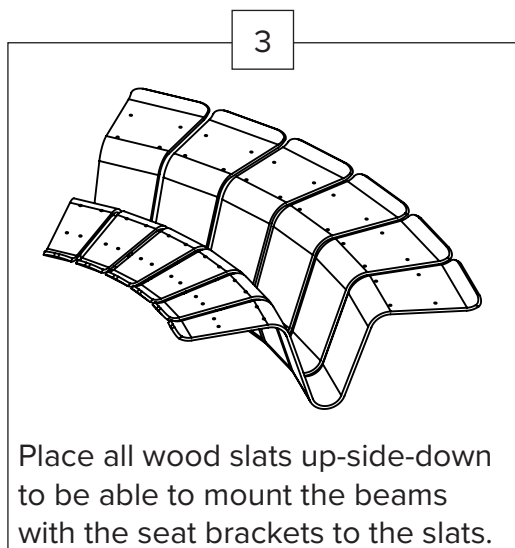
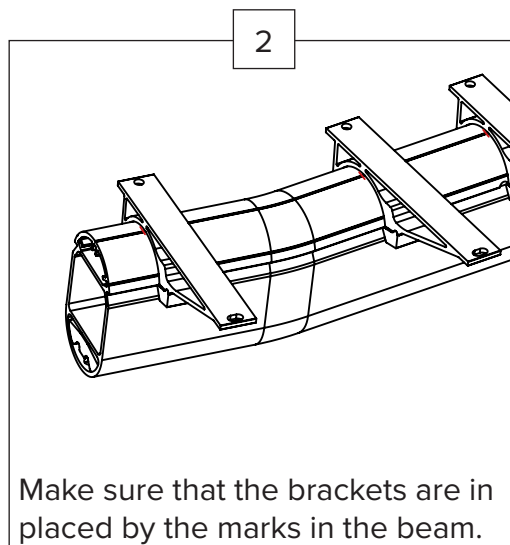
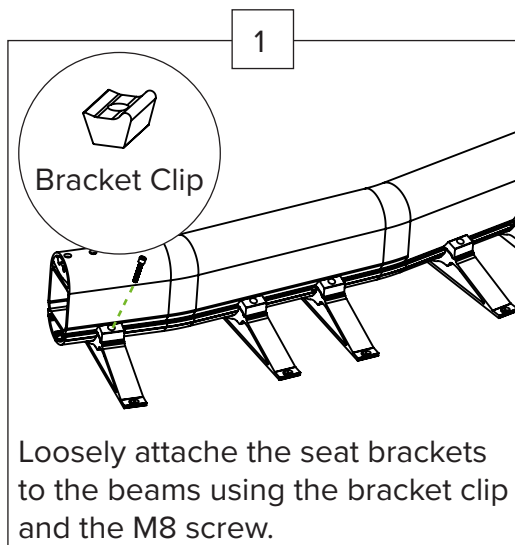
Ascent Double Back Straight

 <p>Beam Convave 60 degree x1</p>	 <p>Beam Convex 60 degree x1</p>	 <p>Wood Slats Curved x6</p>
 <p>Beam Straight x4</p>	 <p>Double Leg x2</p>	 <p>Seat Bracket x24</p>
 <p>Cover Lid x6</p>	 <p>Glide x4</p>	 <p>Screw M6x12 x48</p>
 <p>Screw M8x35 x32</p>	 <p>Bracket Clip x24</p>	 <p>Washer 8.7x13.5x2.5 x4</p>



Assembly Instructions

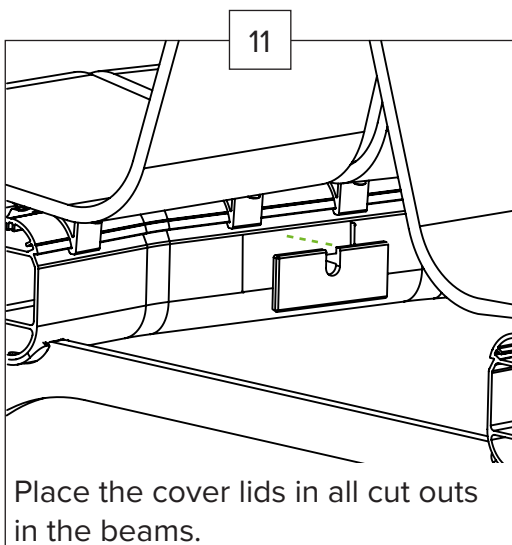
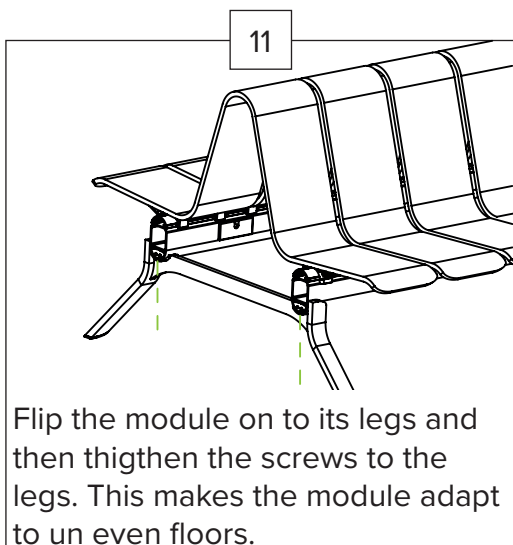
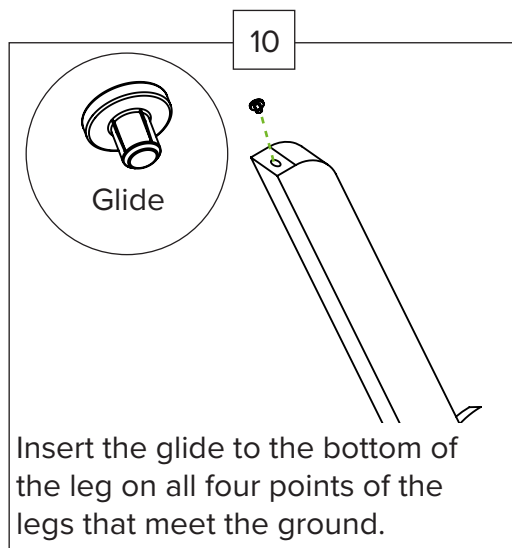
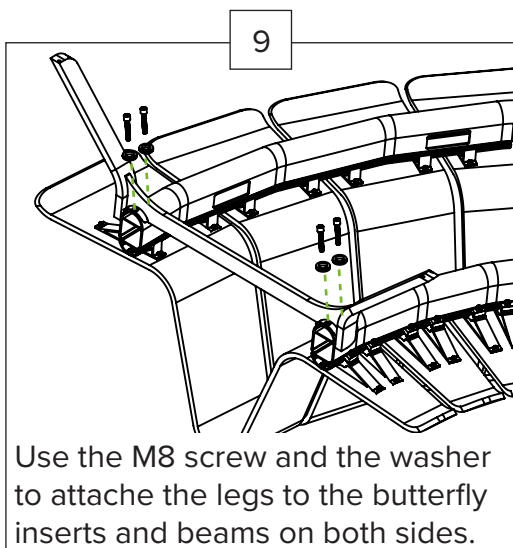
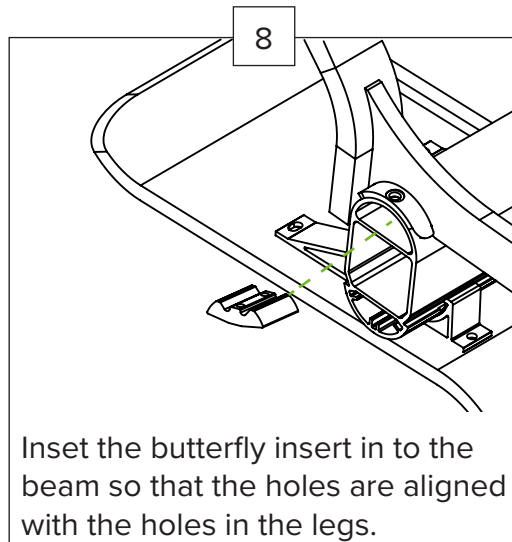
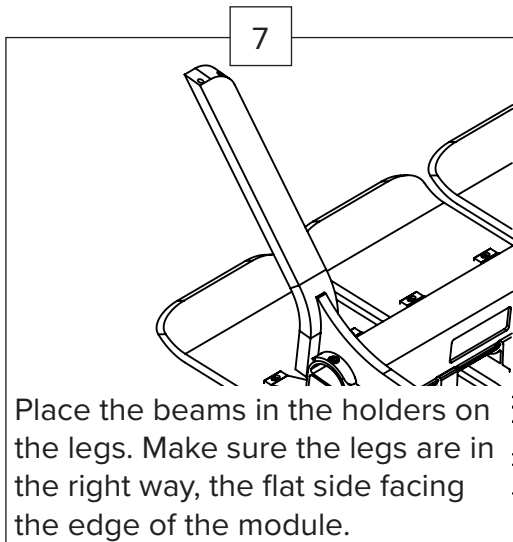
Ascent Double Back Curved





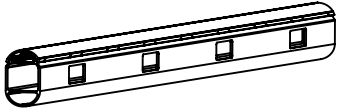
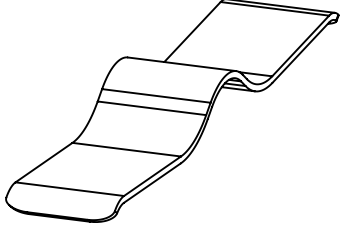
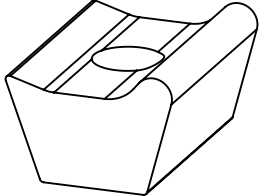
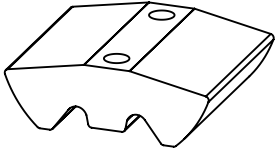
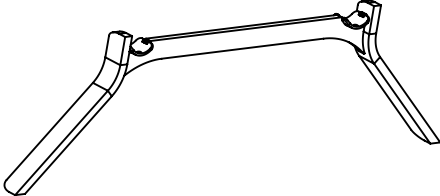
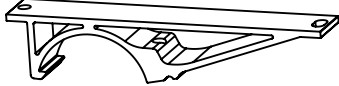
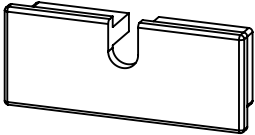
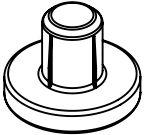
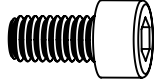
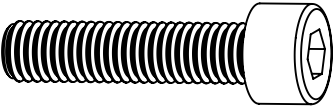
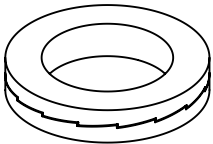
Assembly Instructions

Ascent Double Back Curved





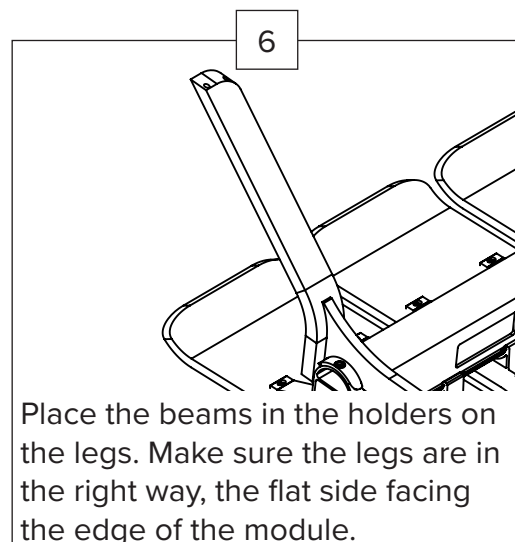
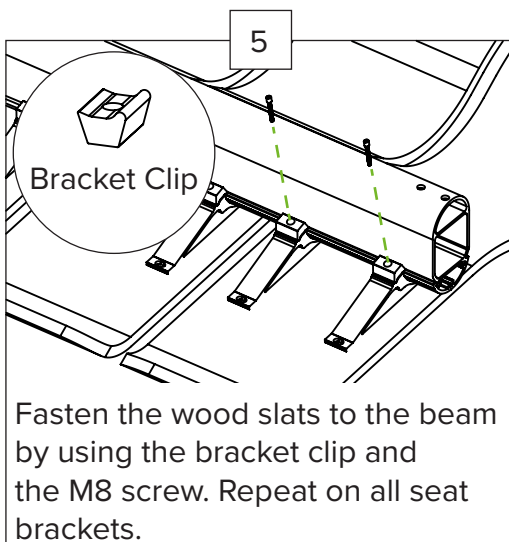
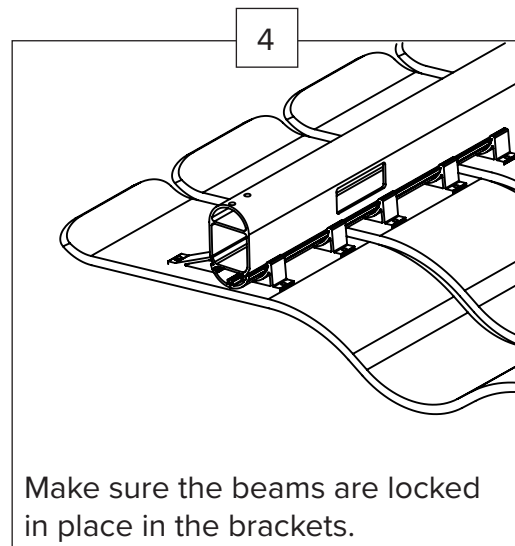
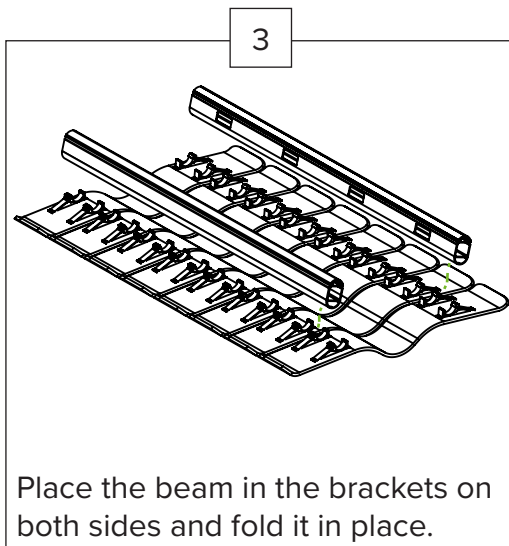
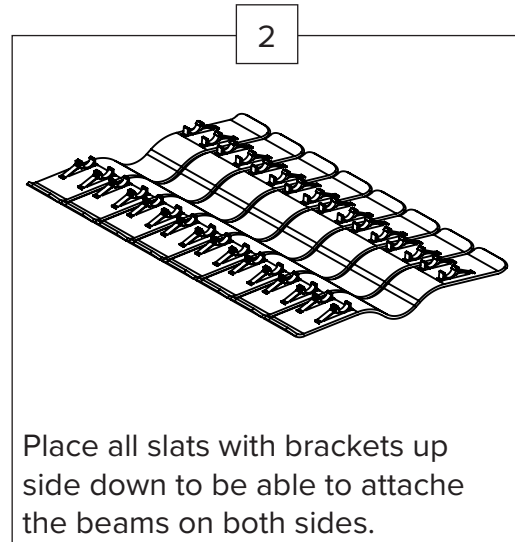
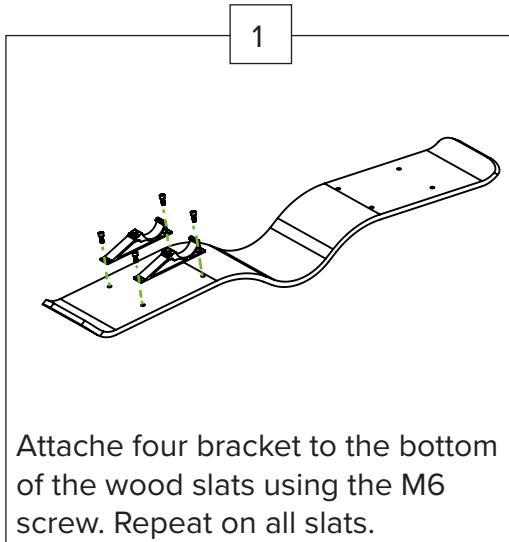
Parts Ascent Double Bench Straight

 <p>Beam Straight x2</p>	 <p>Wood Slats Bench Curved x8</p>	 <p>Bracket Clip x32</p>
 <p>Beam Straight x4</p>	 <p>Double Leg x2</p>	 <p>Seat Bracket x32</p>
 <p>Cover Lid x6</p>	 <p>Glide x4</p>	 <p>Screw M6x12 x64</p>
 <p>Screw M8x35 x40</p>	 <p>Washer 8.7x13.5x2.5 x4</p>	



Assembly Instructions

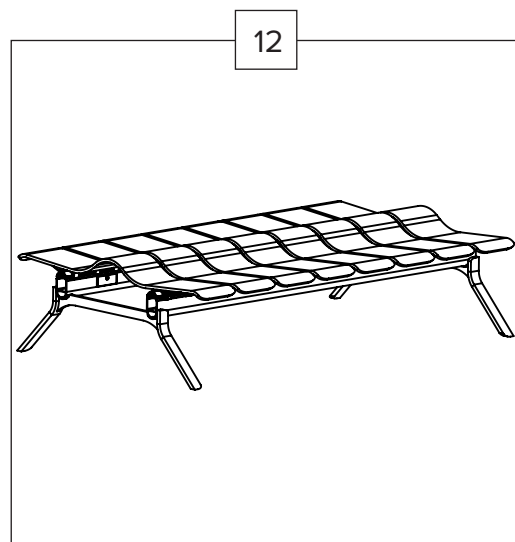
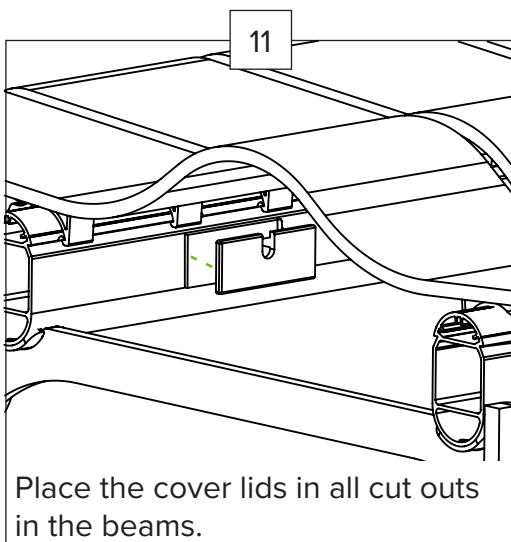
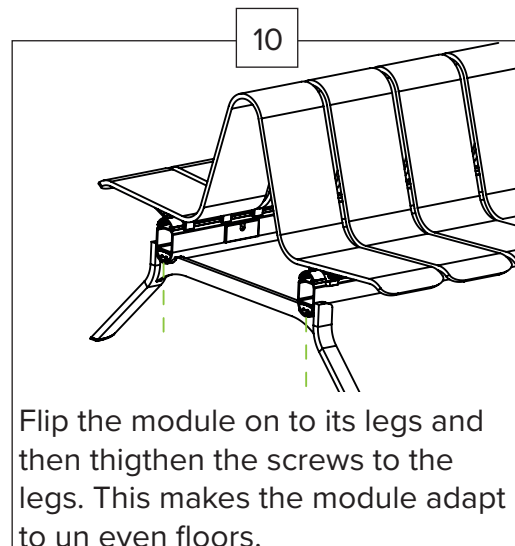
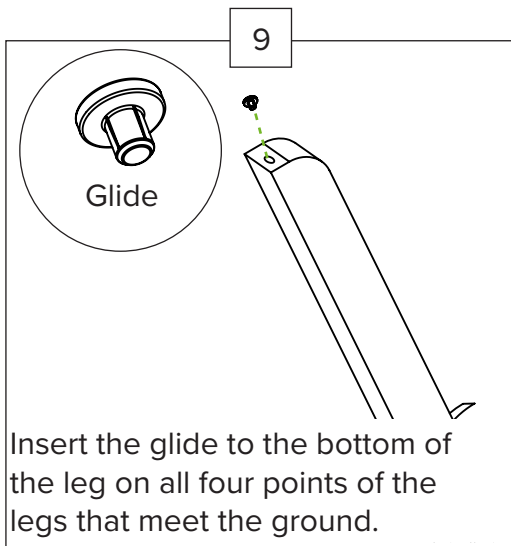
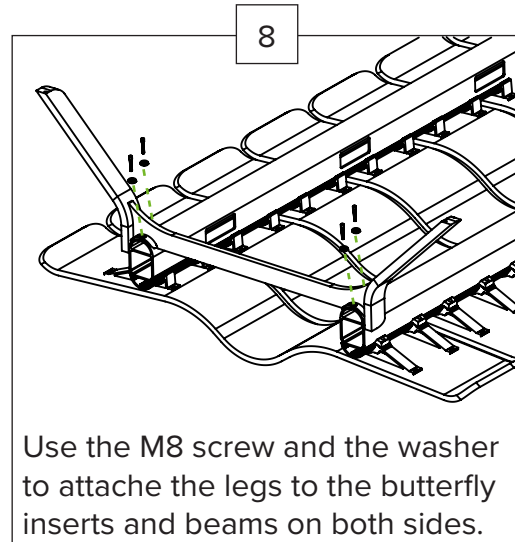
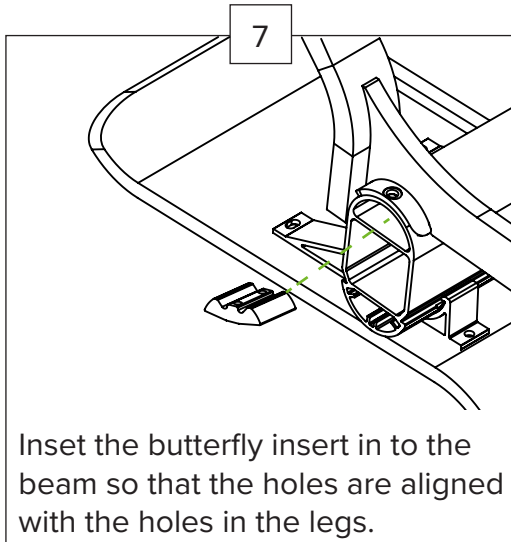
Ascent Double Bench Straight





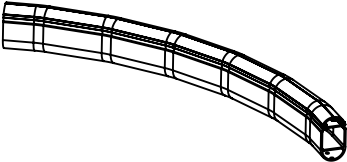
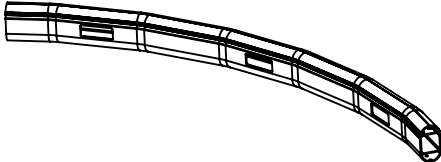
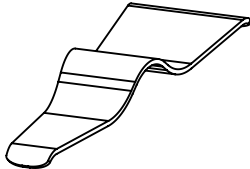
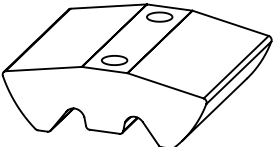
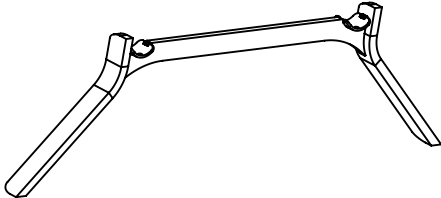

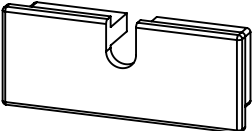
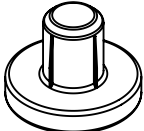
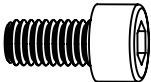
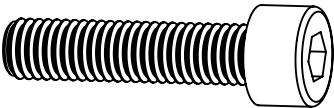
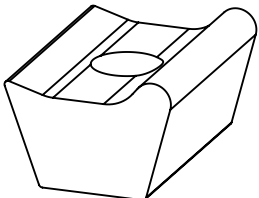
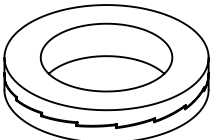
Assembly Instructions

Ascent Double Bench Straight





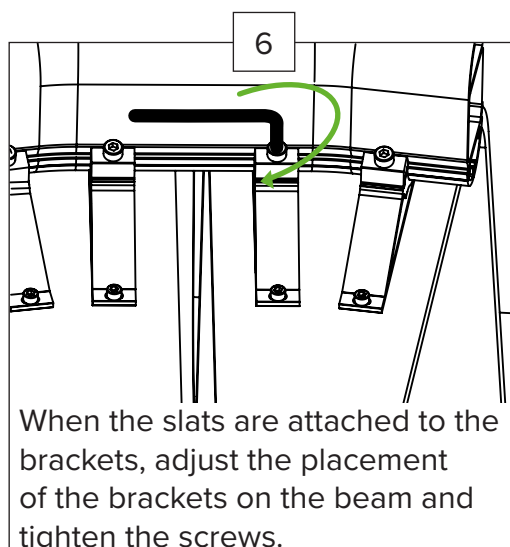
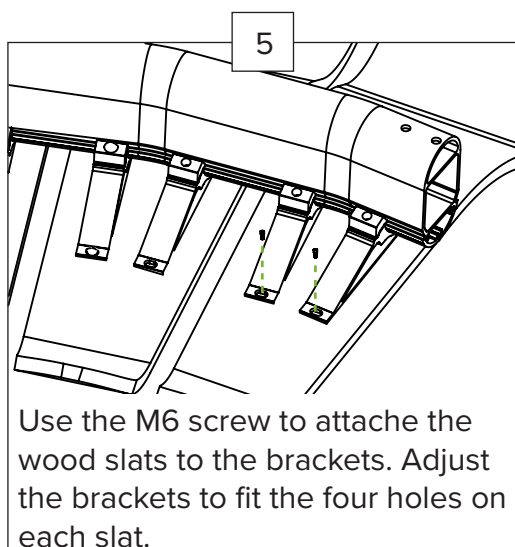
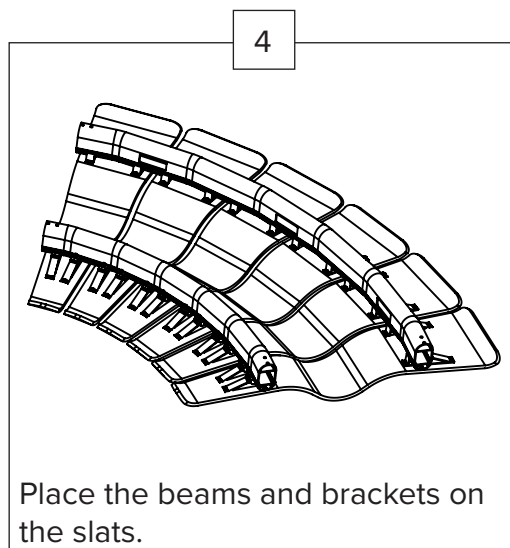
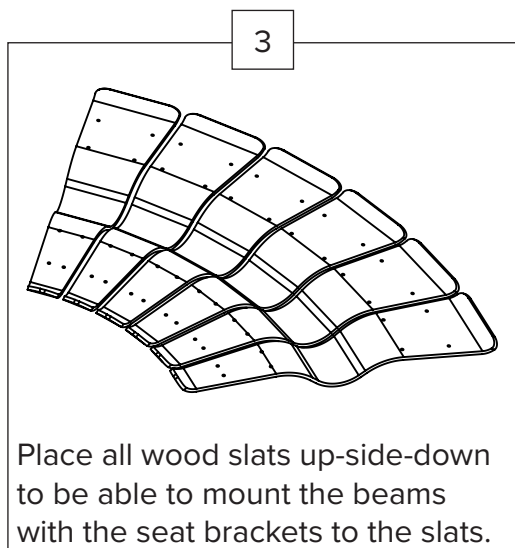
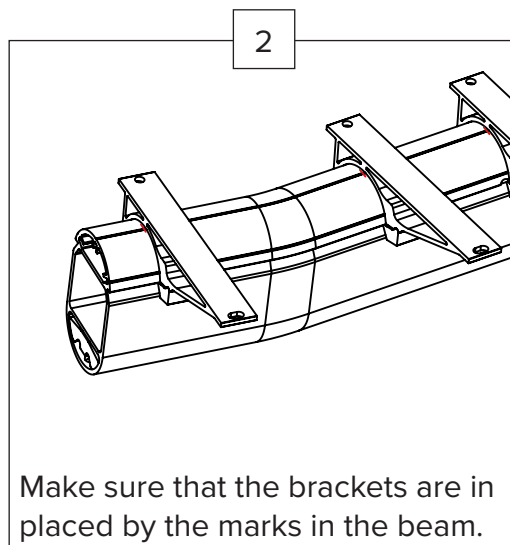
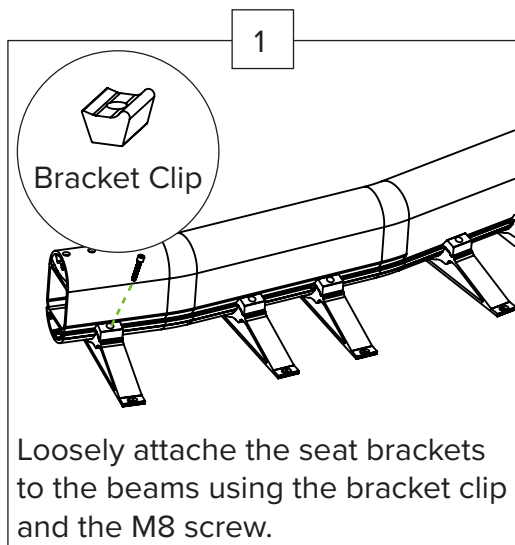
Parts Ascent Double Bench Curved

 <p>Beam Convave 60 degree x1</p>	 <p>Beam Convex 60 degree x1</p>	 <p>Wood Slats Curved x6</p>
 <p>Beam Straight x4</p>	 <p>Double Leg x2</p>	 <p>Seat Bracket x24</p>
 <p>Cover Lid x6</p>	 <p>Glide x4</p>	 <p>Screw M6x12 x48</p>
 <p>Screw M8x35 x32</p>	 <p>Bracket Clip x24</p>	 <p>Washer 8.7x13.5x2.5 x4</p>



Assembly Instructions

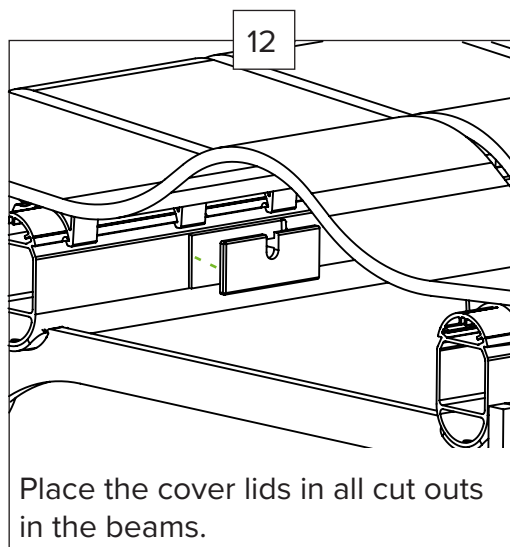
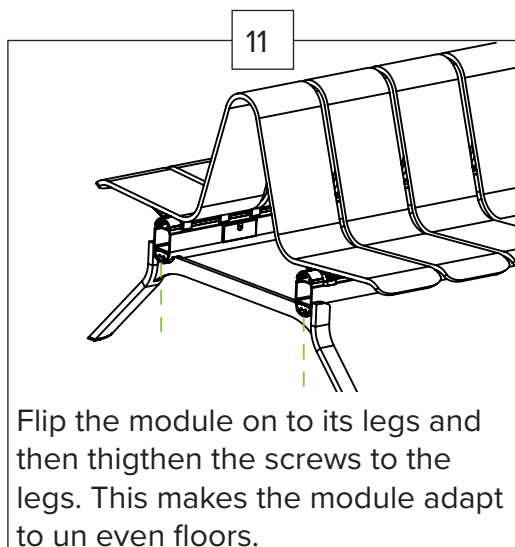
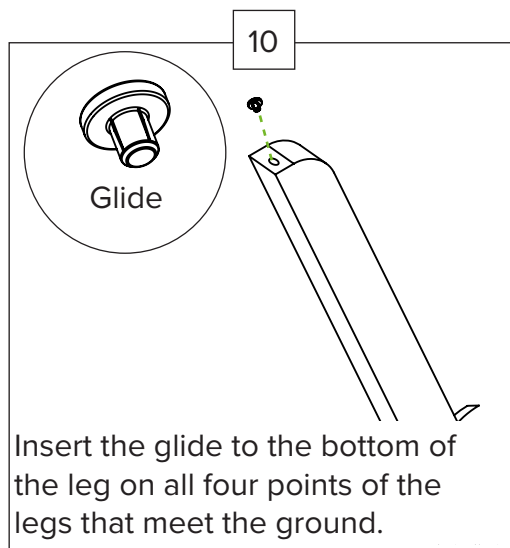
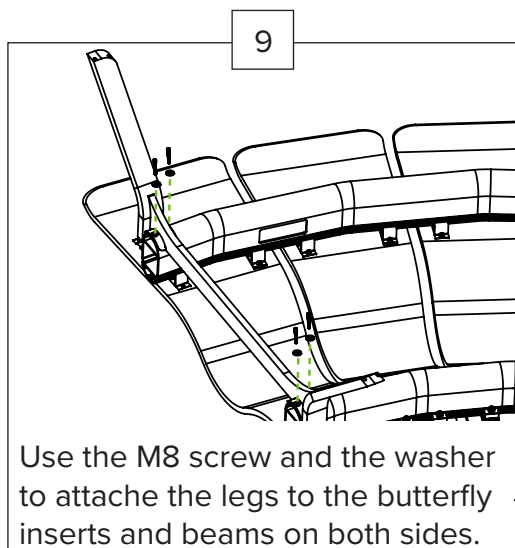
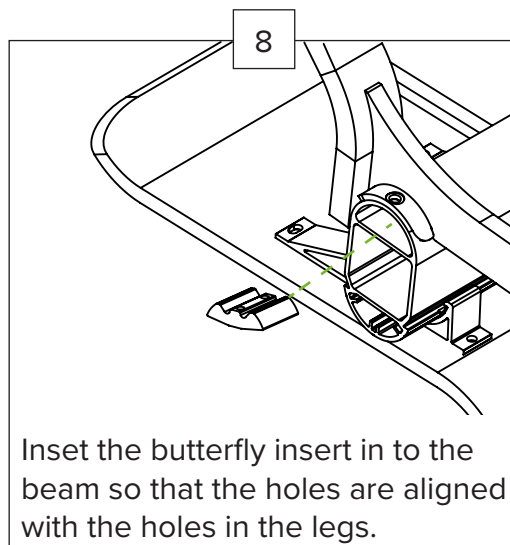
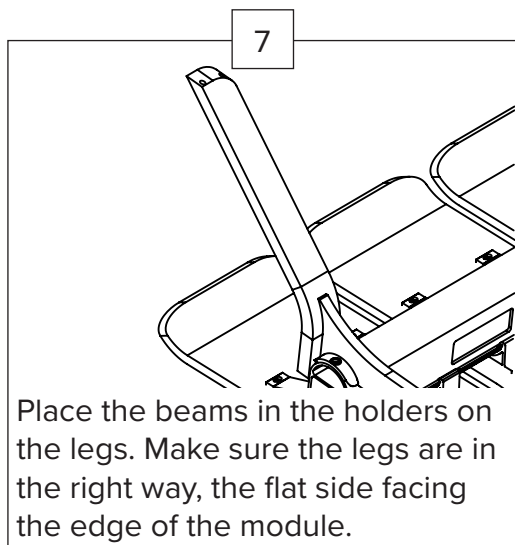
Ascent Double Bench Curved





Assembly Instructions

Ascent Double Bench Curved





Assembly Instructions

Leg Leveler

