

Ascent Rise Modules

Ascent Series



GREEN
FURNITURE
CONCEPT



Index

Modules	p3
Components of Rise Modules	p4
Recycling	p5
Parts Ascent Double Rise Straight	p6-7
Assembly instructions Ascent Double Rise Straight	p8-9
Parts Ascent Double Rise Curved	p10-11
Assembly instructions Ascent Double Rise Curved	p12-13
Assembly instructions Leg leveler	p14



Ascent Series Modules

Ascent Double Rise Straight

Straight double sided module. Transition from backrest to no backrest. Eight seats.



Ascent Double Rise Right 60 degree

Curved double sided module. Transition from backrest to no backrest. Six seats.



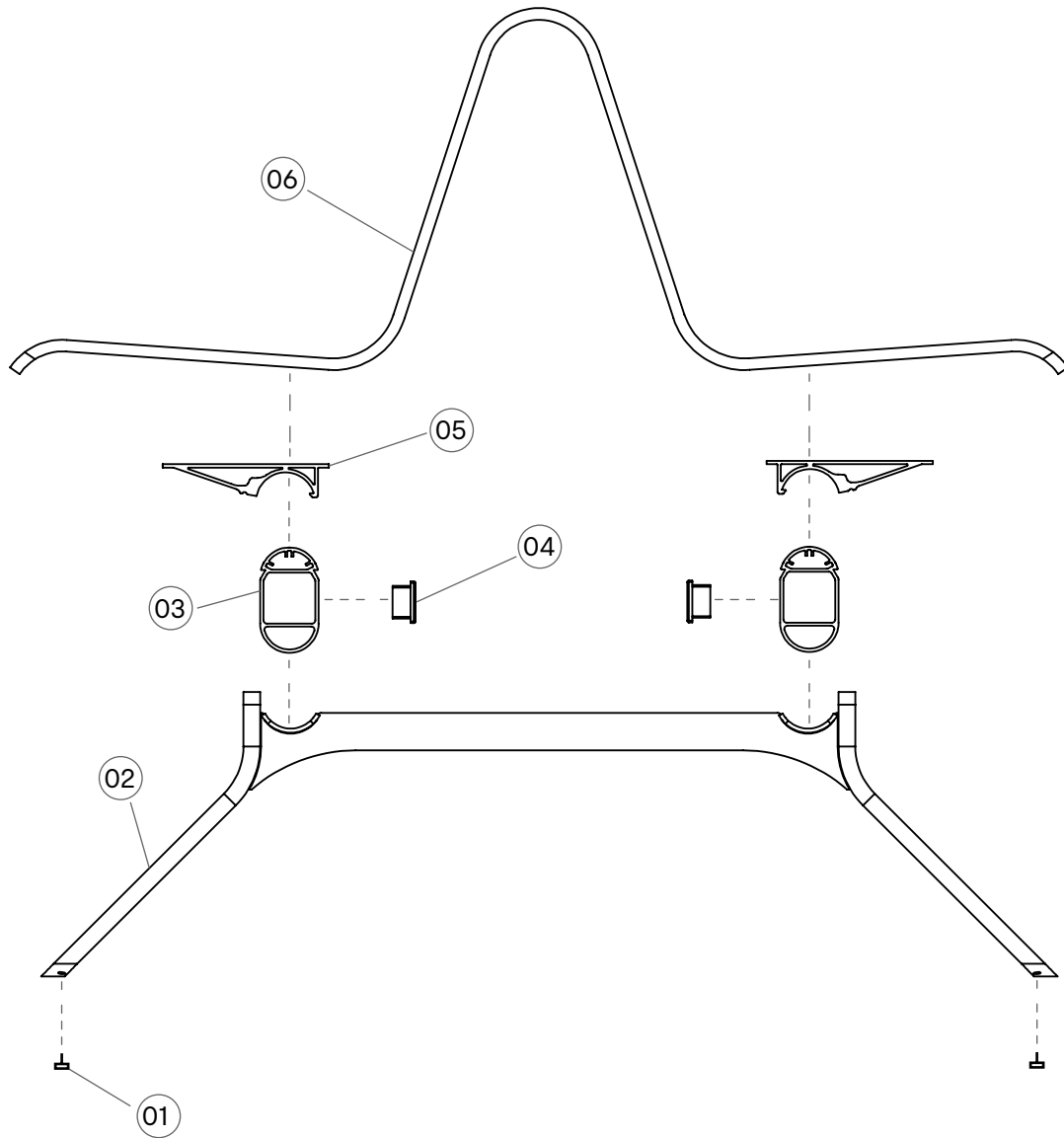
Ascent Double Rise Left 60 degree

Curved double sided module. Transition from backrest to no backrest. Six seats.





Components of Ascent Rise Modules



01. Plastic Glide.

02. Steel Leg. Attached to beam with M8 screw.

03. Aluminum Beam.

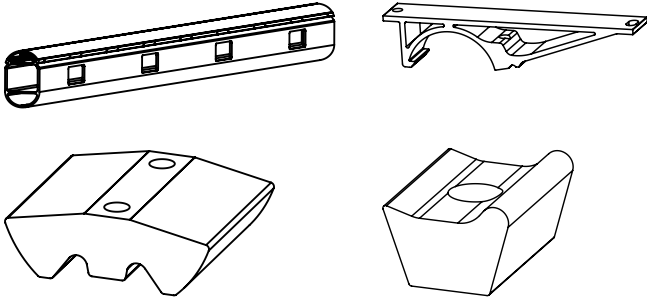
04. Plastic Lid.

05. Aluminum Bracket. Attached to beam with M8 screw.

06. Wood Slat. Attached to bracket with M6 screw.

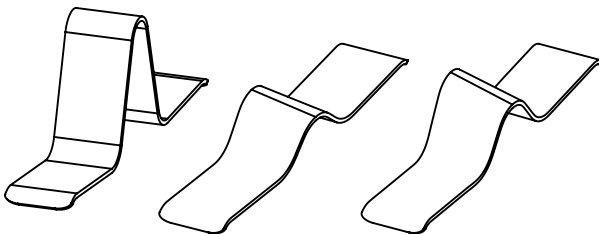


Recycling of parts



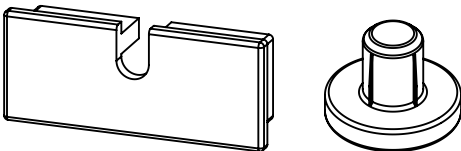
Aluminium parts:

The beam, seatbrackets, butterfly insert and the bracket clip are made from aluminium and should be separated from the product and recycled as aluminum.



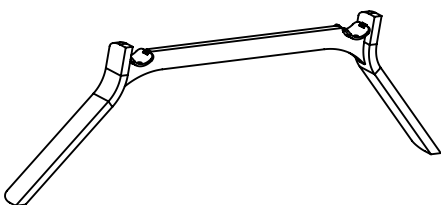
Wooden parts:

All versions of the seat slats should be separated from the product and recycled as wood.



Plastic parts:

The plastic lid and the glides are made from plastic and should be separated from the product and recycled as plastic.



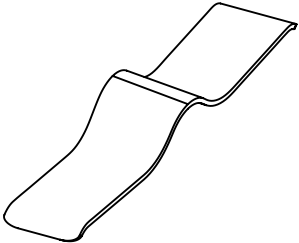
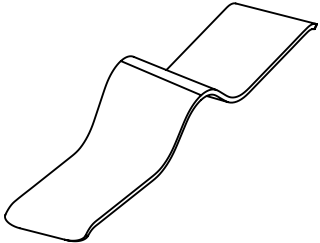
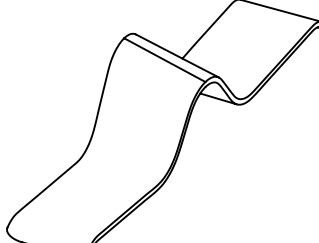
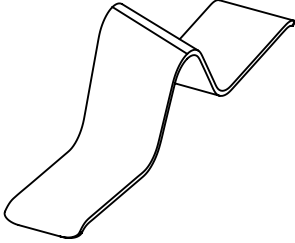
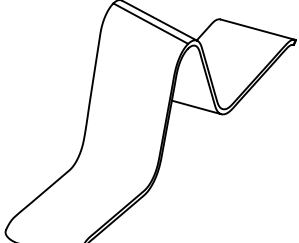
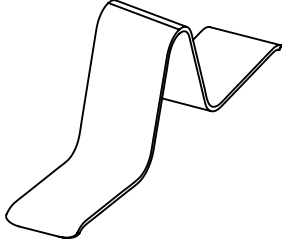
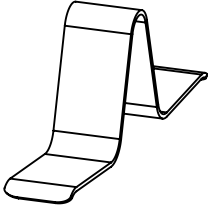
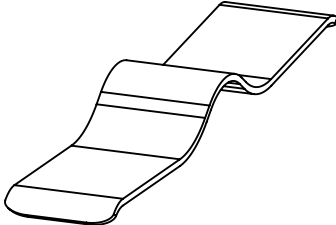
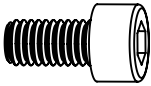

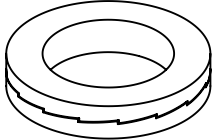
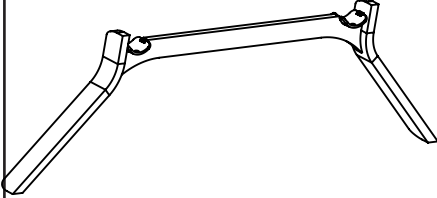
Steel parts:

The legs are made from steel and should therefore be separated and recycled as steel.



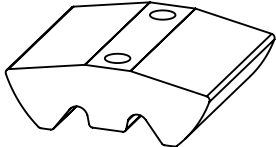
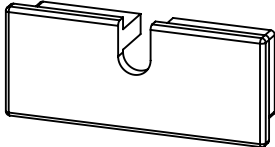
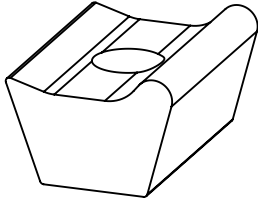
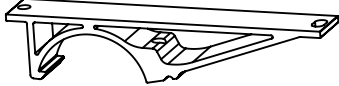
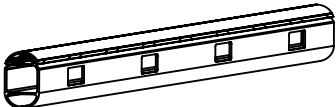
Parts

Ascent Double Rise Straight

 <p>Wood Slat Double Rise Straight 1 x1</p>	 <p>Wood Slat Double Rise Straight 2 x1</p>	 <p>Wood Slat Double Rise Straight 3 x1</p>
 <p>Wood Slat Double Rise Straight 4 x1</p>	 <p>Wood Slat Double Rise Straight 5 x1</p>	 <p>Wood Slat Double Rise Straight 6 x1</p>
 <p>Wood Slat Double Back Straight x1</p>	 <p>Wood Slat Double Bench Straight x1</p>	 <p>Screw M6x12 x64</p>
 <p>Screw M8x35 x40</p>	 <p>Washer 8.7x13.5x2.5 x4</p>	 <p>Double Leg x2</p>



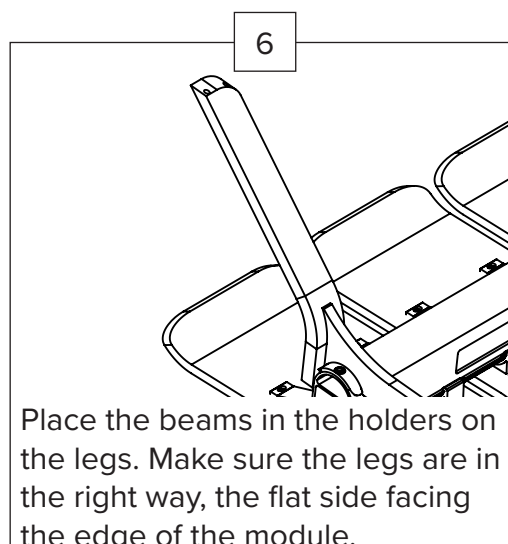
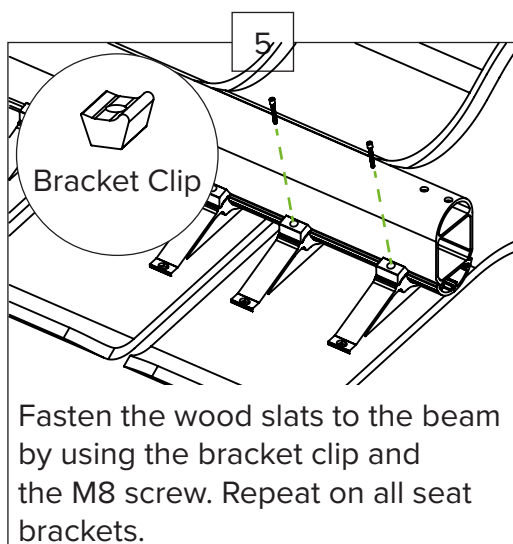
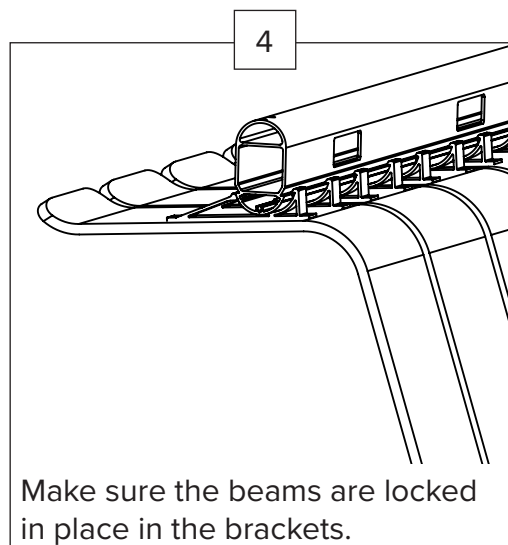
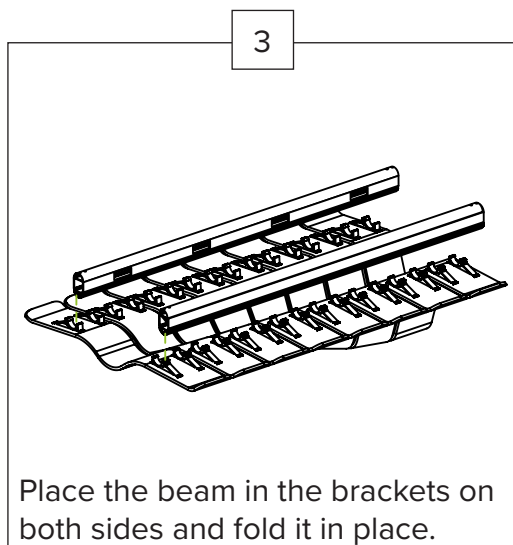
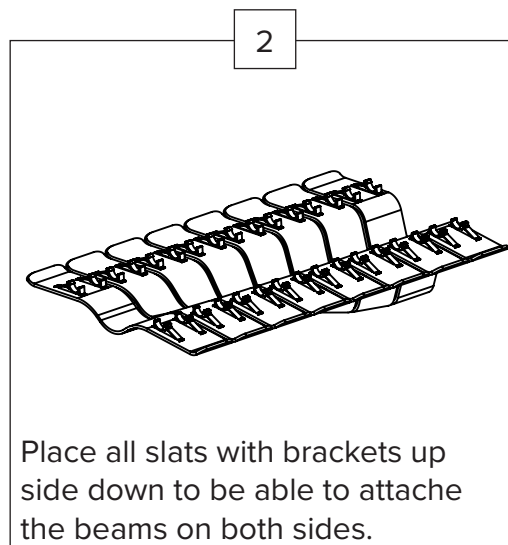
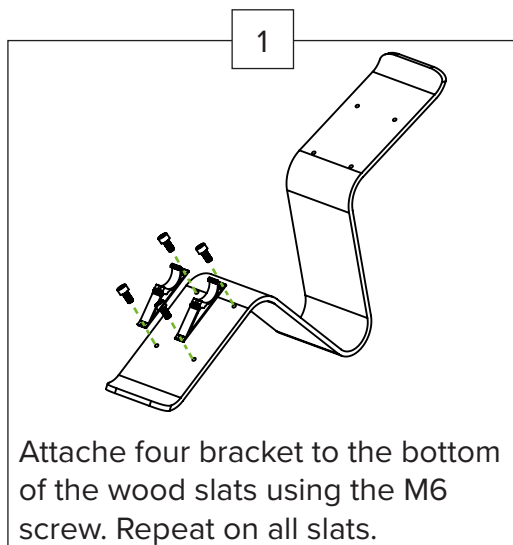
Parts
Ascent Double Rise Straight

 <p>Beam Straight x4</p>	 <p>Cover Lid x8</p>	 <p>Bracket Clip x32</p>
 <p>Seat Bracket x32</p>	 <p>Beam Straight x2</p>	



Assembly instructions

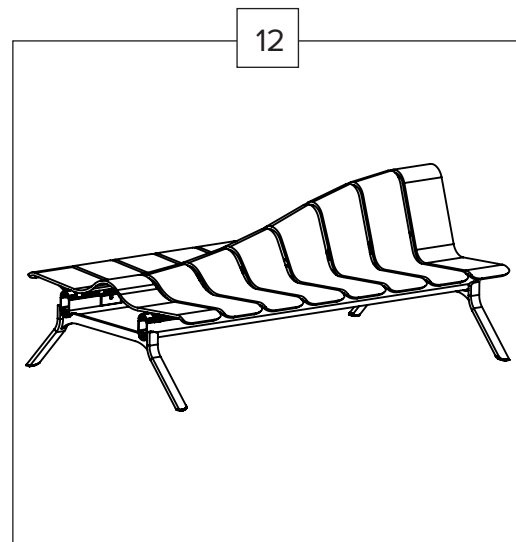
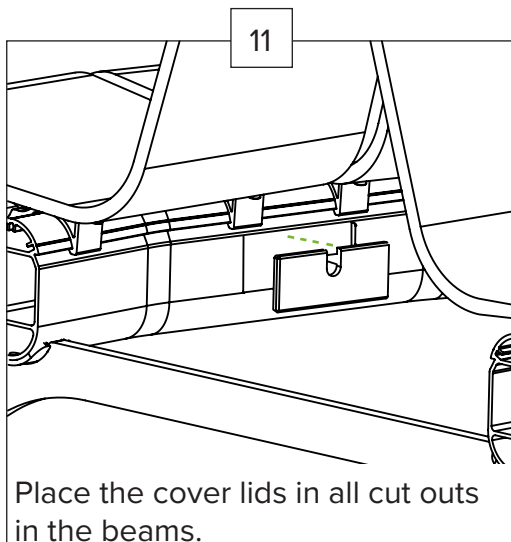
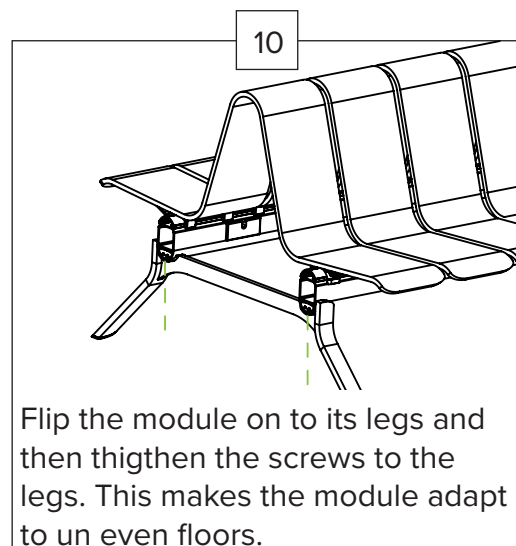
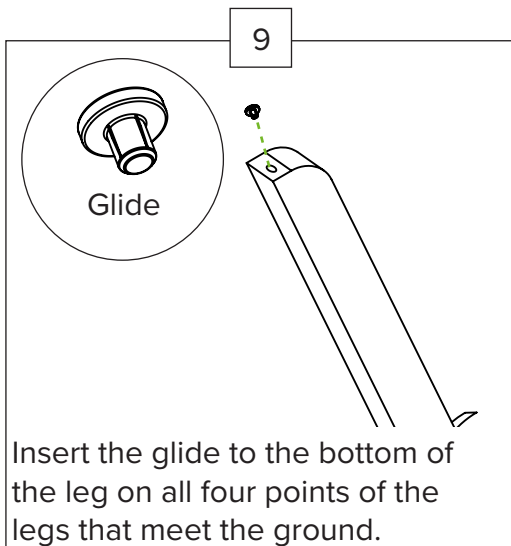
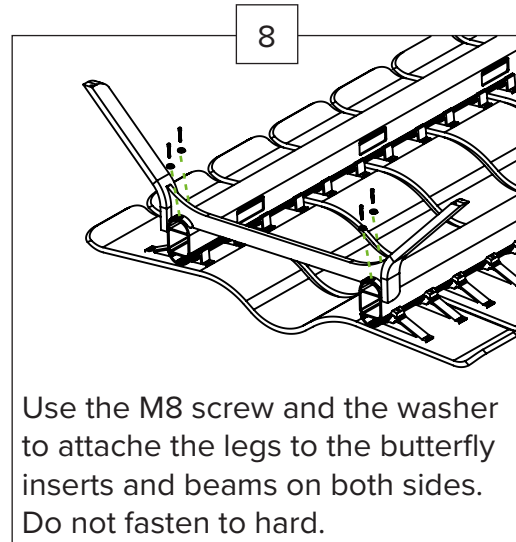
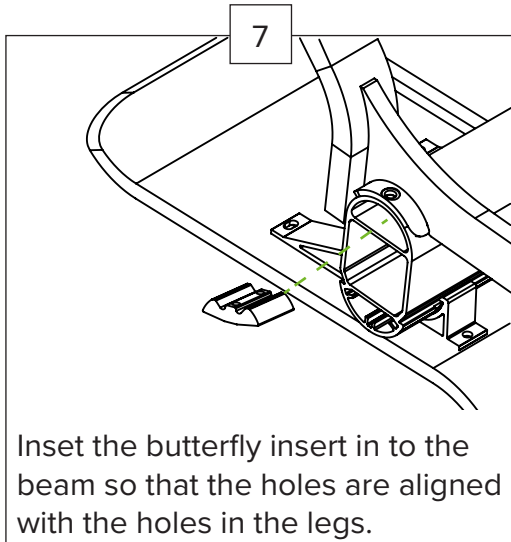
Ascent Double Rise Straight





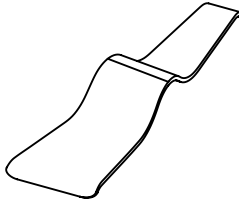
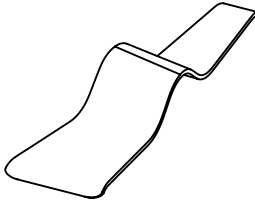
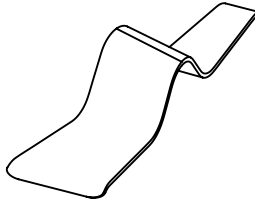
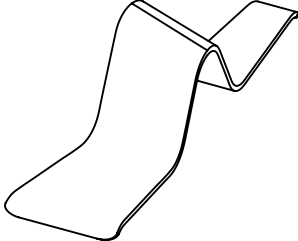
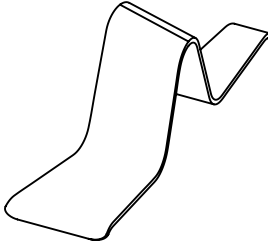
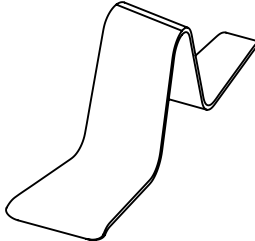
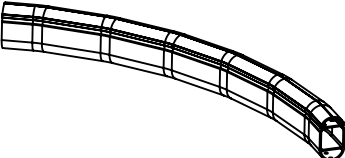
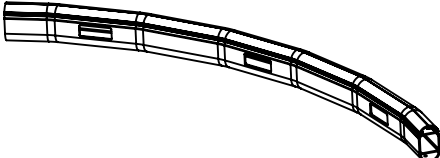
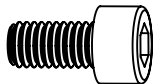
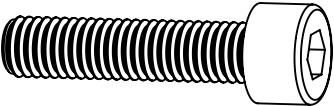
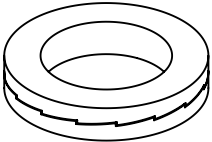
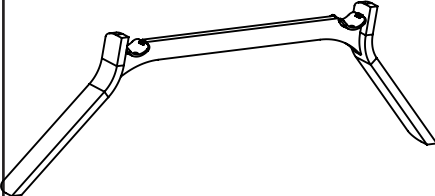
Assembly instructions

Ascent Double Rise Straight



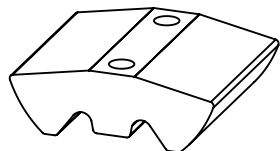


Parts
Ascent Double Rise Curved

 <p>Wood Slat Double Rise Curved 1 x1</p>	 <p>Wood Slat Double Rise Curved 2 x1</p>	 <p>Wood Slat Double Rise Curved 3 x1</p>
 <p>Wood Slat Double Rise Curved 4 x1</p>	 <p>Wood Slat Double Rise Curved 5 x1</p>	 <p>Wood Slat Double Rise Curved 6 x1</p>
 <p>Beam Convave 60 degree x1</p>	 <p>Beam Convex 60 degree x1</p>	 <p>Screw M6x12 x64</p>
 <p>Screw M8x35 x40</p>	 <p>Washer 8.7x13.5x2.5 x4</p>	 <p>Double Leg x2</p>



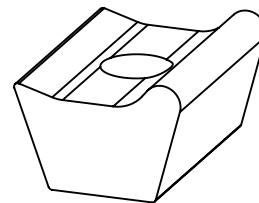
Parts
Ascent Double Rise Straight



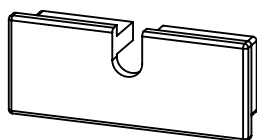
Beam Straight
x4



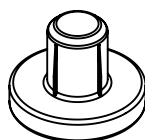
Seat Bracket
x24



Bracket Clip
x24



Cover Lid
x6

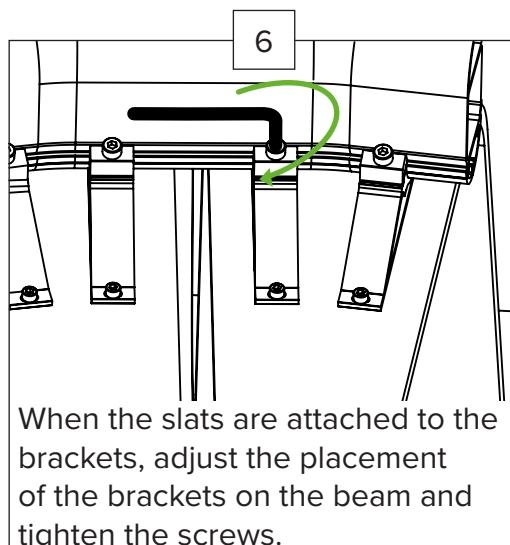
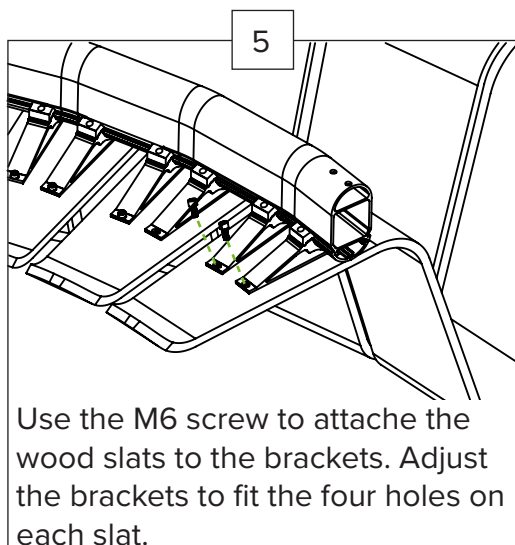
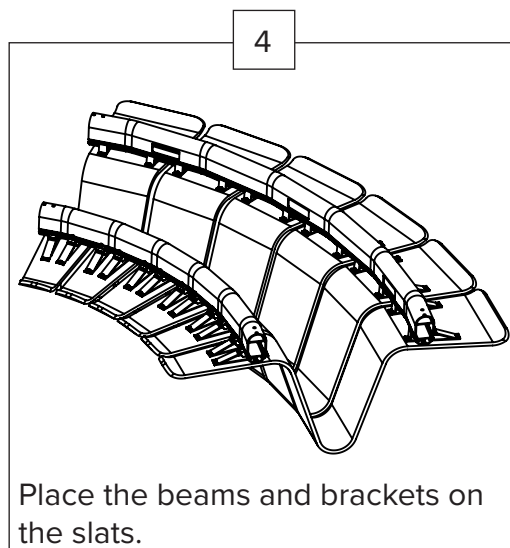
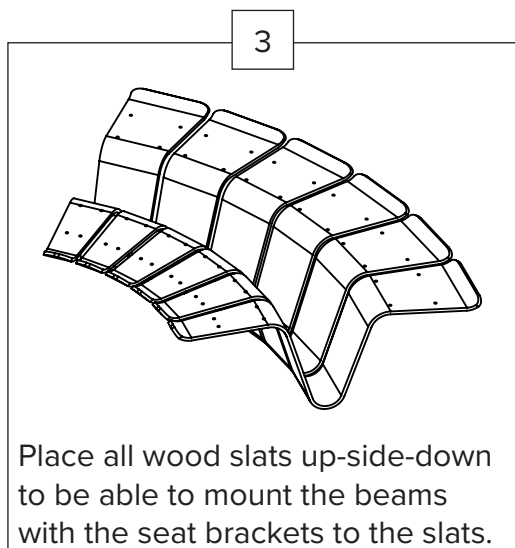
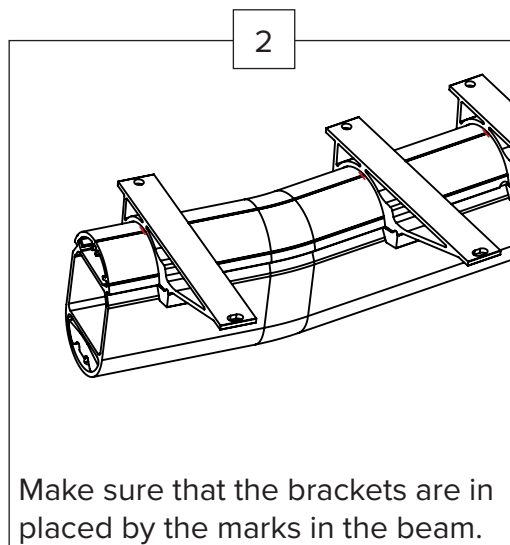
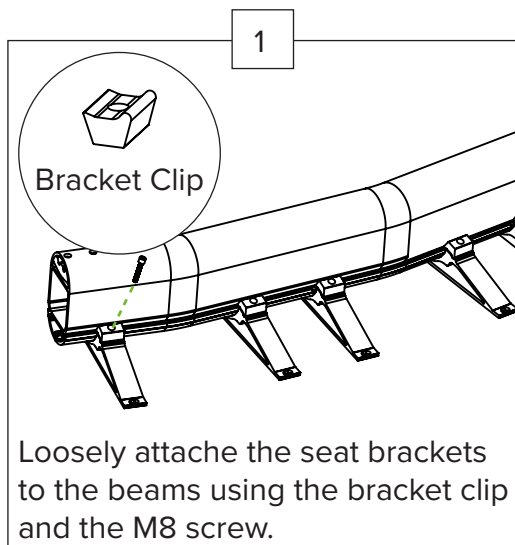


Glide
x4



Assembly instructions

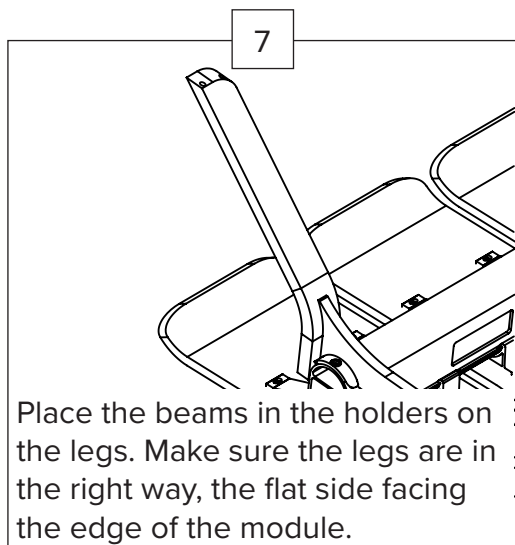
Ascent Double Rise Curved



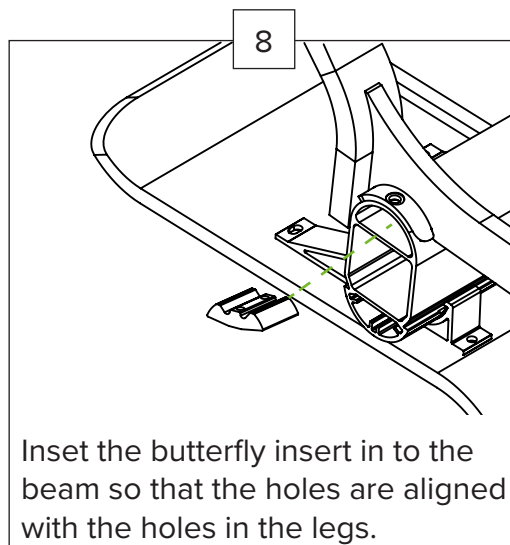


Assembly instructions

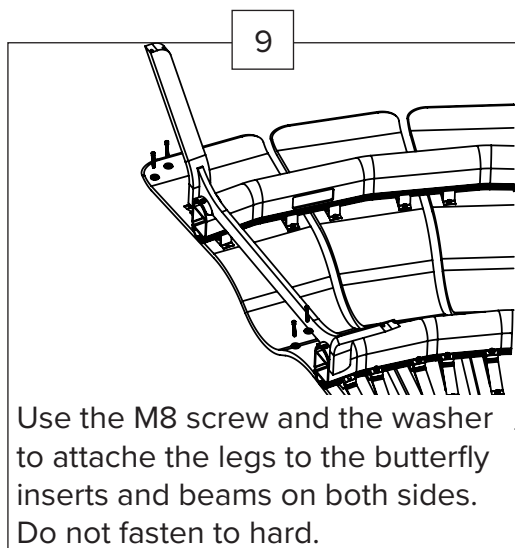
Ascent Double Rise Curved



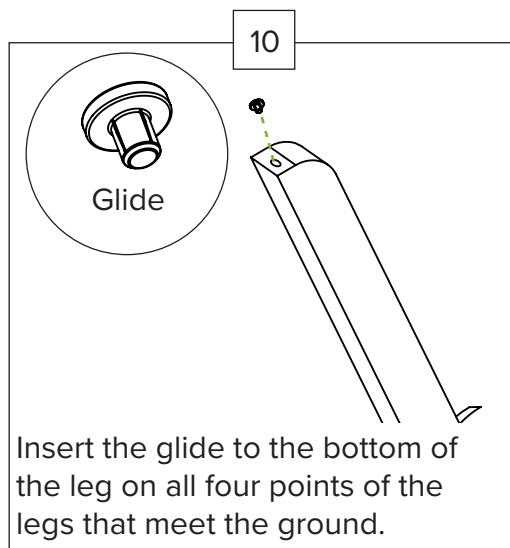
Place the beams in the holders on the legs. Make sure the legs are in the right way, the flat side facing the edge of the module.



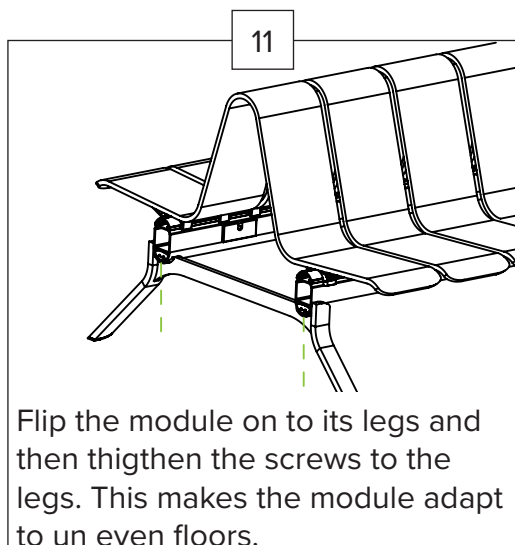
Inset the butterfly insert in to the beam so that the holes are aligned with the holes in the legs.



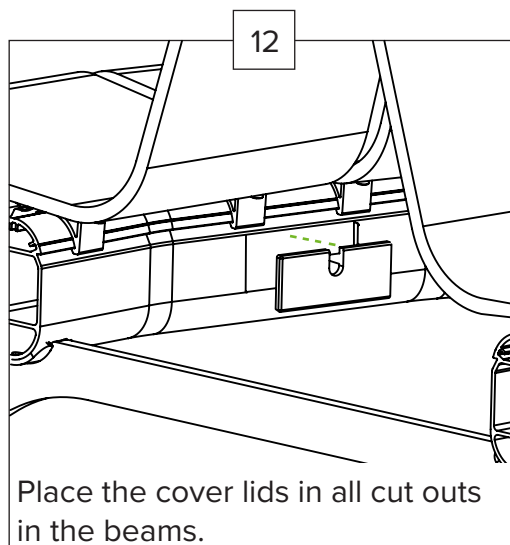
Use the M8 screw and the washer to attach the legs to the butterfly inserts and beams on both sides. Do not fasten to hard.



Insert the glide to the bottom of the leg on all four points of the legs that meet the ground.



Flip the module on to its legs and then thighten the screws to the legs. This makes the module adapt to un even floors.



Place the cover lids in all cut outs in the beams.



Assembly instructions

Leg Leveler

