

Ascent Single Modules

Ascent Series



GREEN
FURNITURE
CONCEPT



Index

Modules	p3
Components of Single Modules	p4
Recycling of Parts	p5
Parts Ascent Single Back Straight	p6
Assembly instructions Ascent Single Back Straight	p7-8
Parts Ascent Single Back Convex	p9
Assembly instructions Ascent Single Back Convex	p10-11
Parts Ascent Single Back Concave	p12
Assembly instructions Ascent Single Back Concave	p13-14
Assembly instructions Leg leveler	p15



Ascent Series Modules

Ascent Single Back Straight

Straight single sided module with backrest.
Four seats.



Ascent Single Back Convex 60 degree

60 degree curved single sided module with
backrest. Three seats.



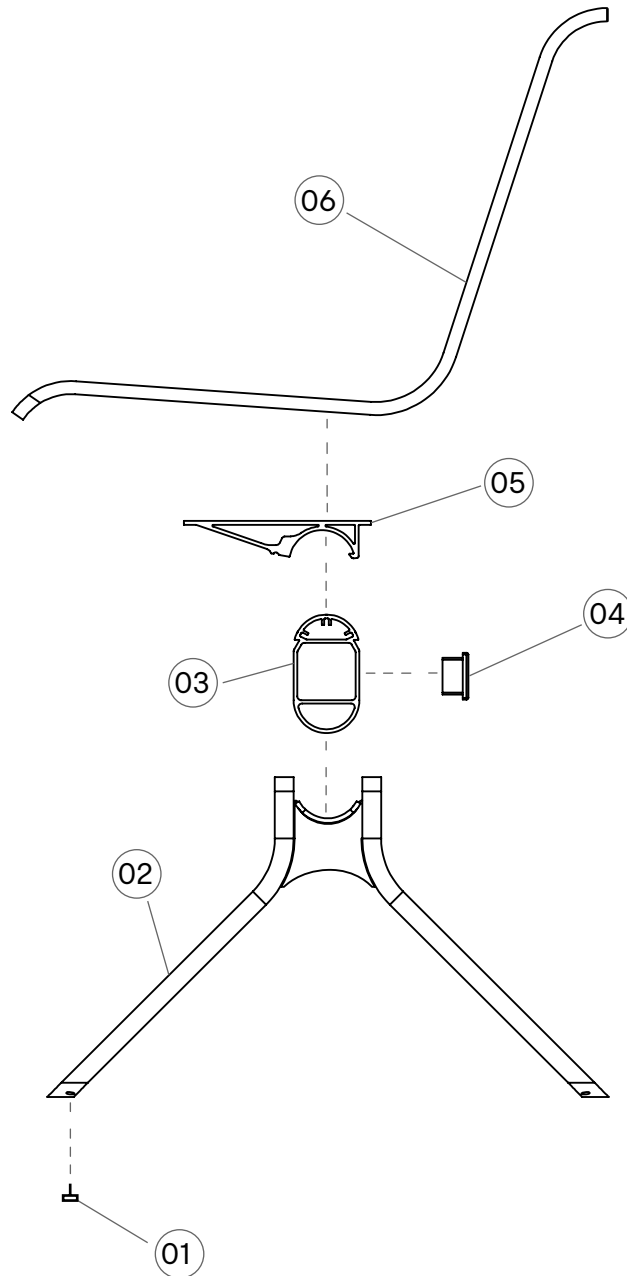
Ascent Single Back Concave 60 degree

60 degree curved single sided module with
backrest. Three seats.





Components of Ascent Single Modules



01. Plastic Glide.

02. Steel Leg. Attached to beam with M8 screw.

03. Aluminum Beam.

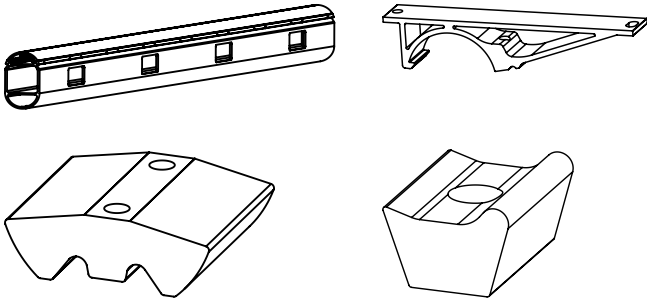
04. Plastic Lid.

05. Aluminum Bracket. Attached to beam with M8 screw.

06. Wood Slat. Attached to bracket with M6 screw.

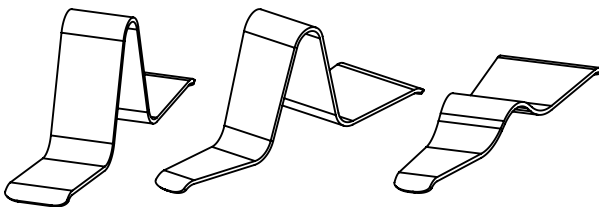


Recycling of parts



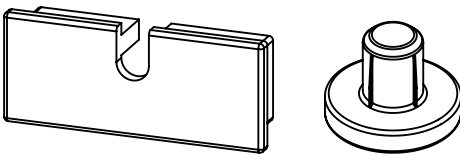
Aluminium parts:

The beam, seatbrackets, butterfly insert and the bracket clip are made from aluminium and should be separated from the product and recycled as aluminum.



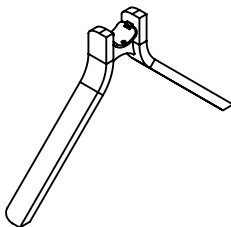
Wooden parts:

All versions of the seat slats should be separated from the product and recycled as wood.



Plastic parts:

The plastic lid and the glides are made from plastic and should be separated from the product and recycled as plastic.



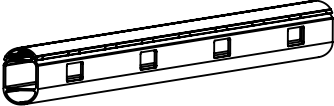
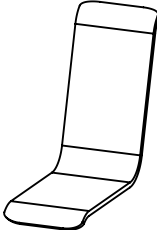
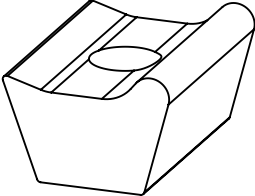
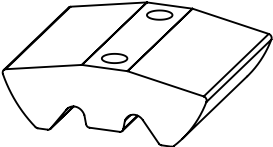
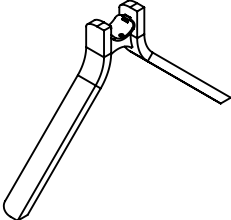

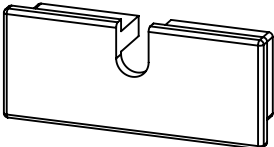
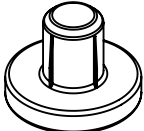
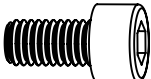
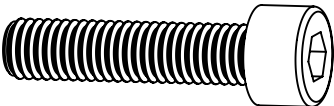
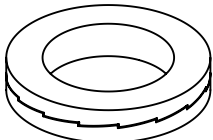
Steel parts:

The legs are made from steel and should therefore be separated and recycled as steel.



Parts

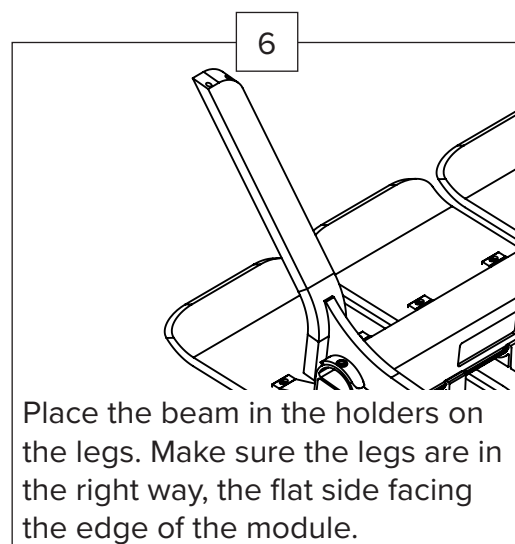
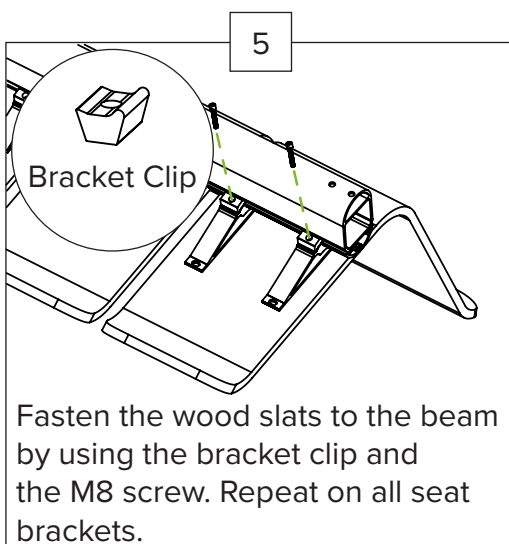
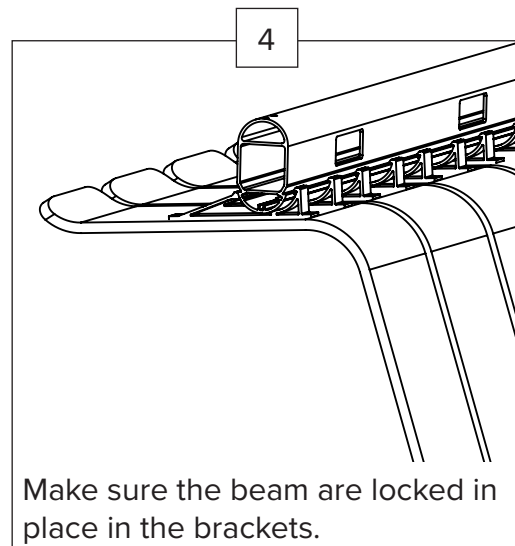
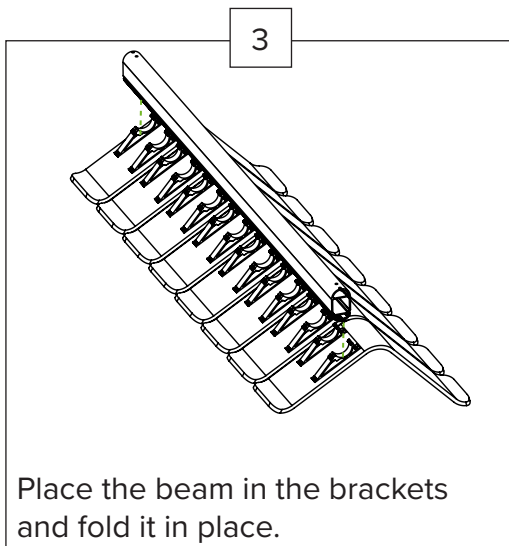
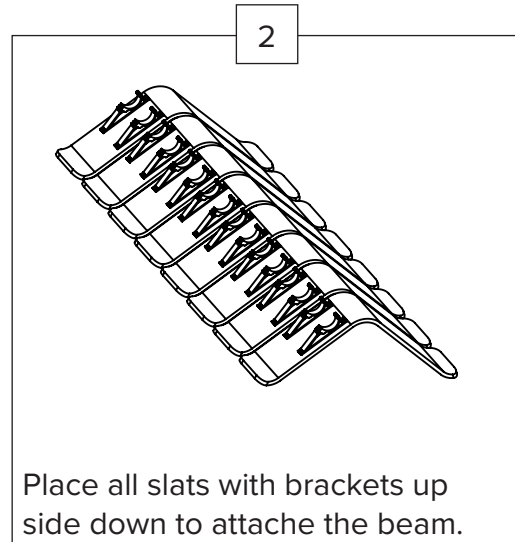
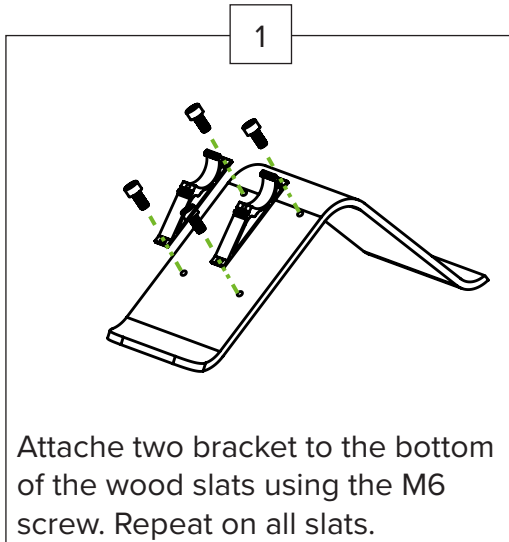
Ascent Single Back Straight

 <p>Beam Straight x1</p>	 <p>Wood Slats Single Straight x6</p>	 <p>Bracket Clip x16</p>
 <p>Beam Straight x2</p>	 <p>Single Leg x2</p>	 <p>Seat Bracket x16</p>
 <p>Cover Lid x4</p>	 <p>Glide x4</p>	 <p>Screw M6x12 x32</p>
 <p>Screw M8x35 x20</p>	 <p>Washer 8.7x13.5x2.5 x4</p>	



Assembly Instructions

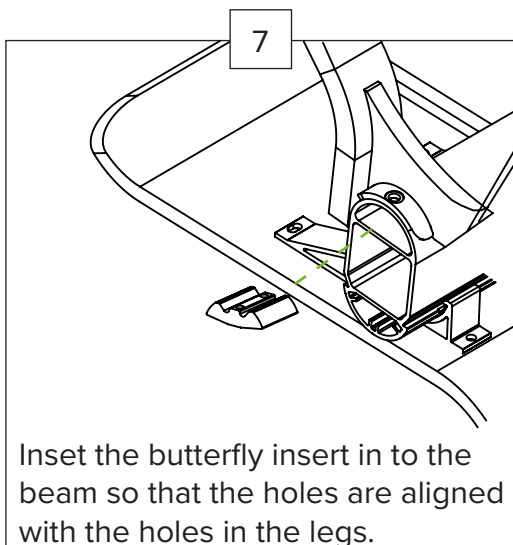
Ascent Single Back Straight



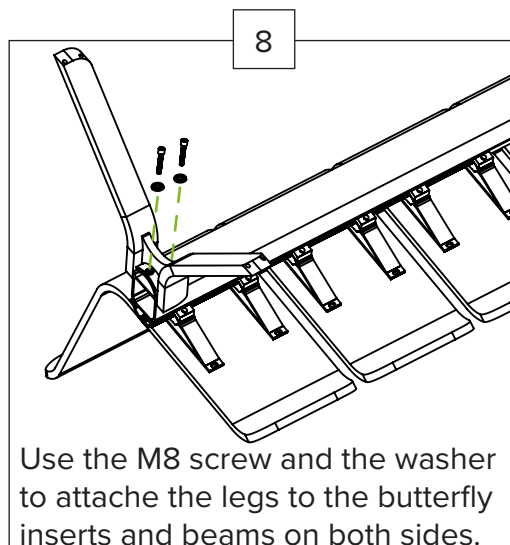


Assembly Instructions

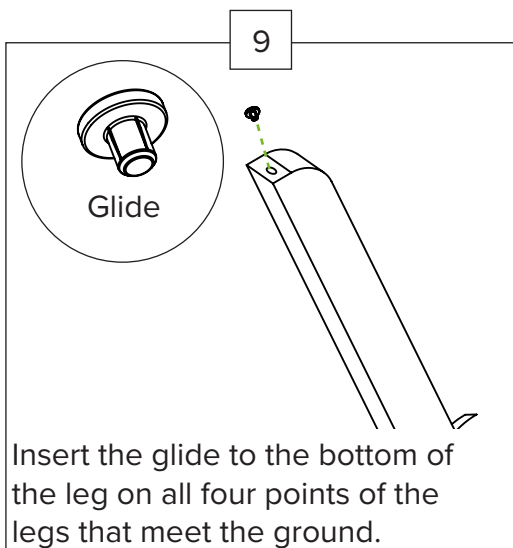
Ascent Single Back Straight



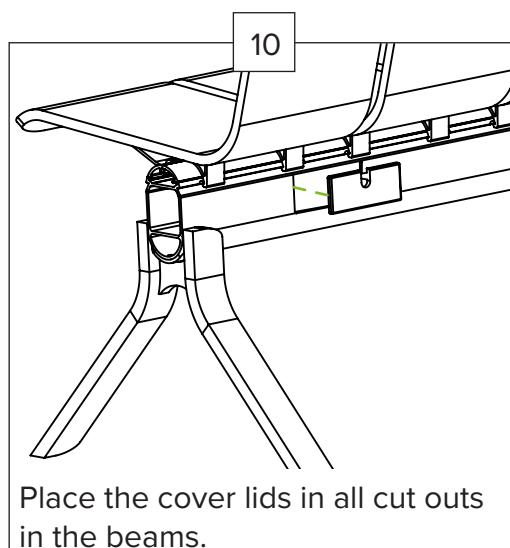
7
Inset the butterfly insert in to the beam so that the holes are aligned with the holes in the legs.



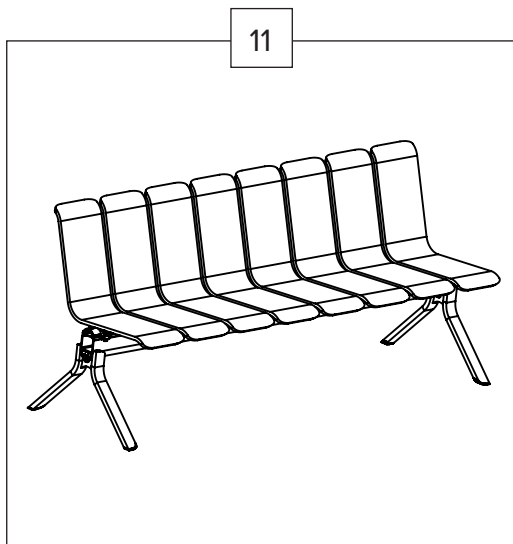
8
Use the M8 screw and the washer to attach the legs to the butterfly inserts and beams on both sides.



9
Insert the glide to the bottom of the leg on all four points of the legs that meet the ground.



10
Place the cover lids in all cut outs in the beams.

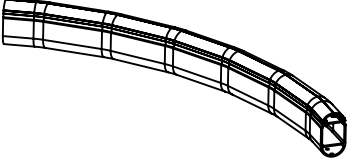
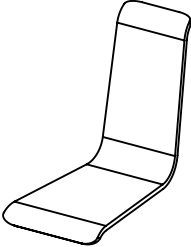
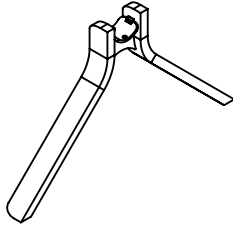
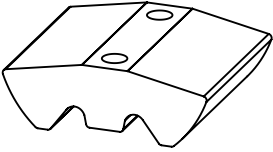
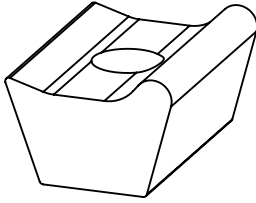
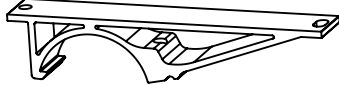
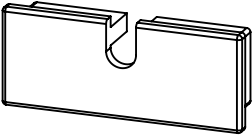
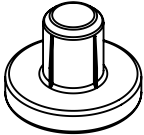
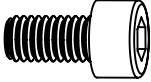
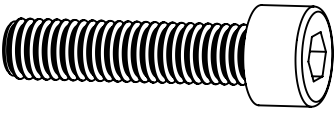
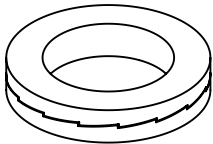


11



Parts

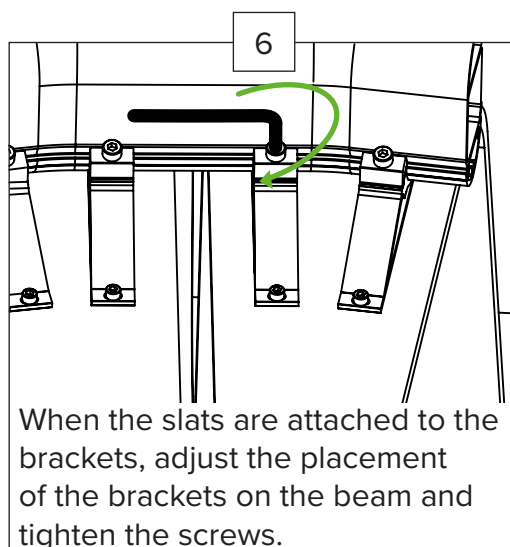
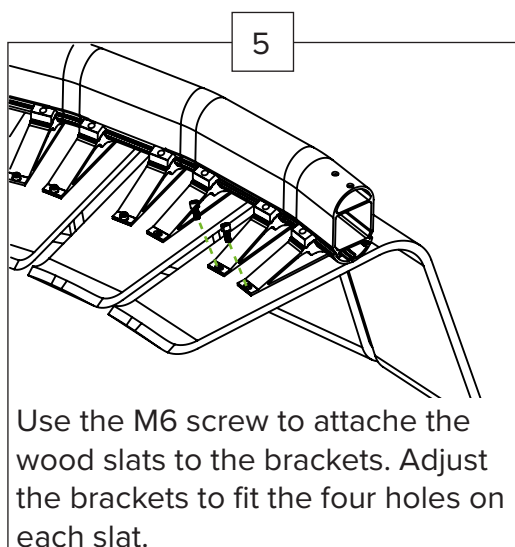
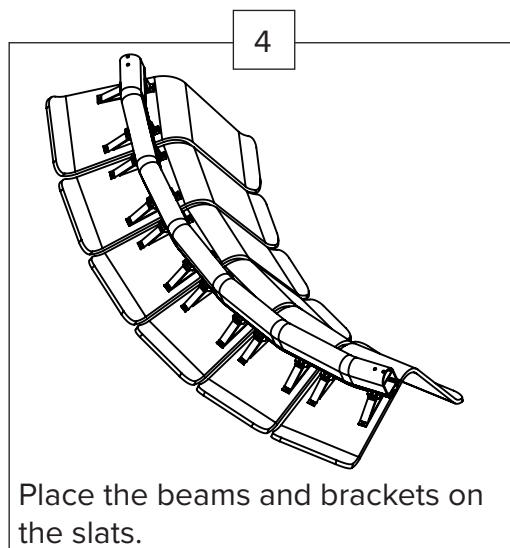
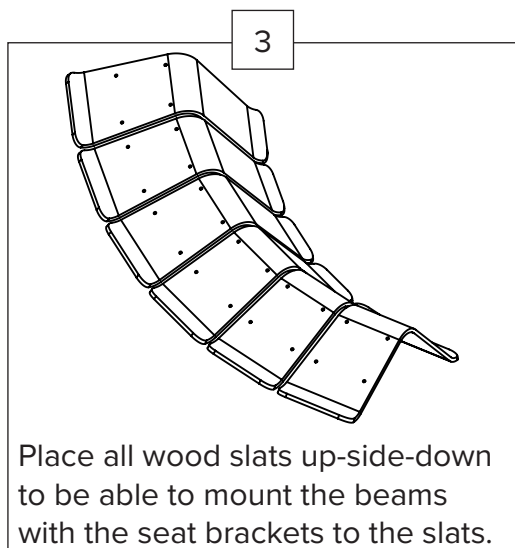
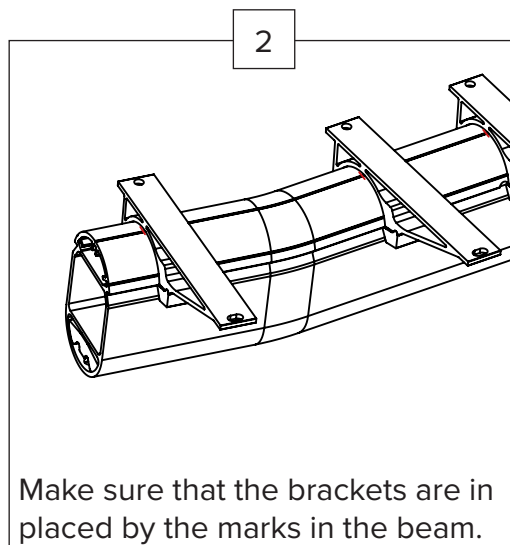
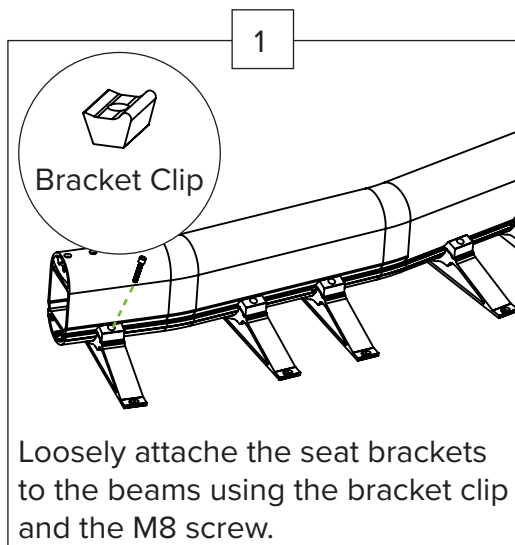
Ascent Single Back Convex

 <p>Beam Convave 60 degree x1</p>	 <p>Wood Slats Convex x6</p>	 <p>Single Leg x2</p>
 <p>Butterfly insert x2</p>	 <p>Bracket Clip x12</p>	 <p>Seat Bracket x12</p>
 <p>Cover Lid x3</p>	 <p>Glide x4</p>	 <p>Screw M6x12 x24</p>
 <p>Screw M8x35 x16</p>	 <p>Washer 8.7x13.5x2.5 x4</p>	



Assembly Instructions

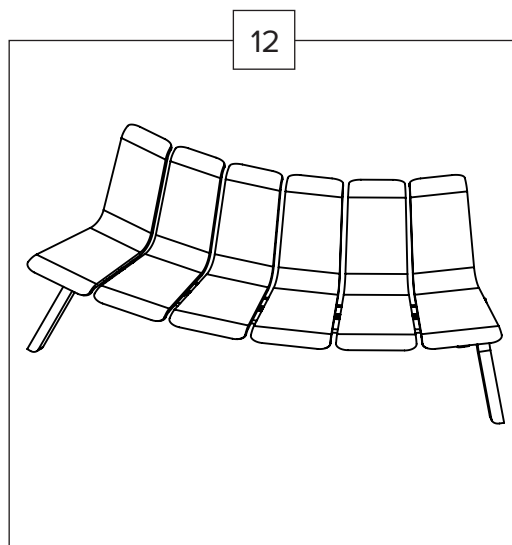
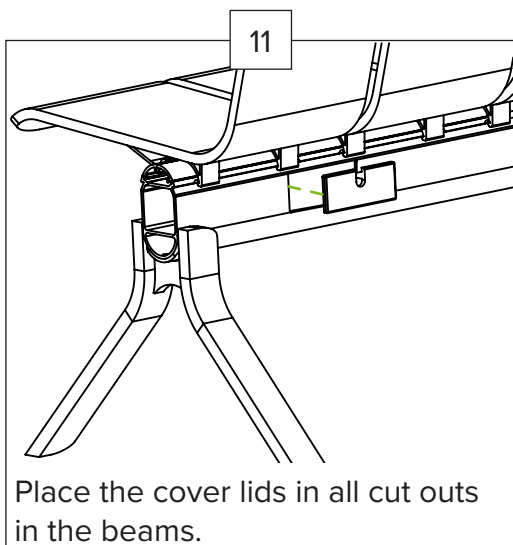
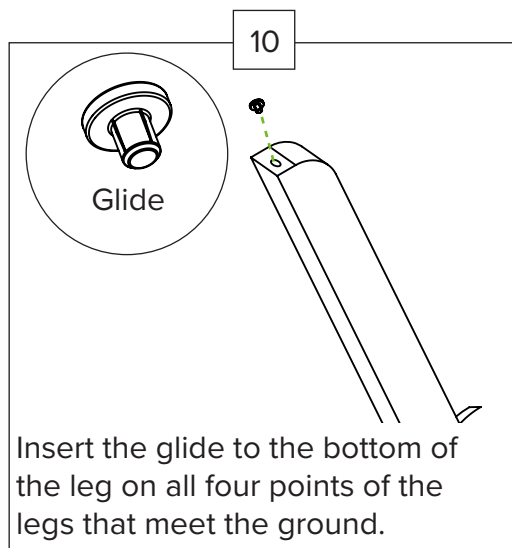
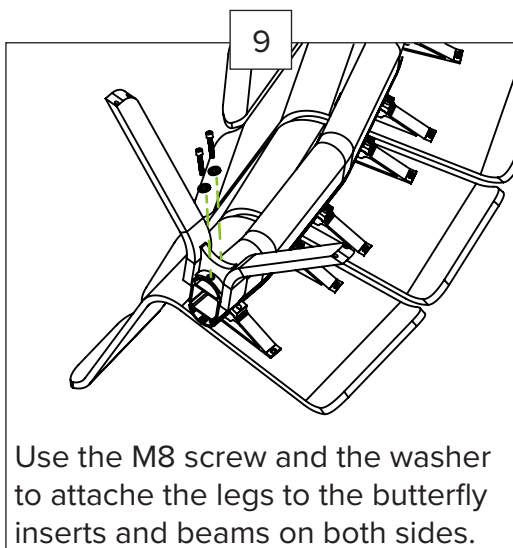
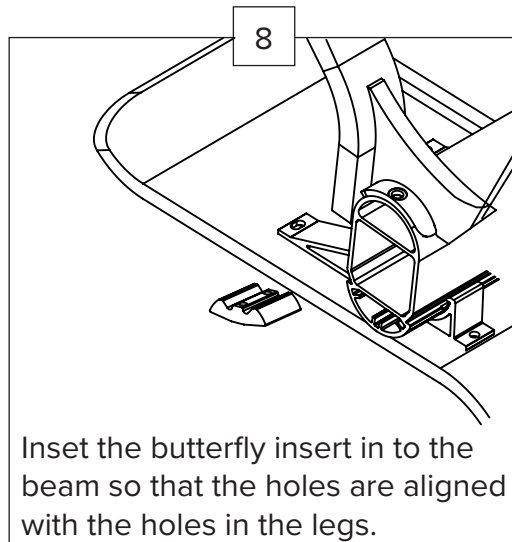
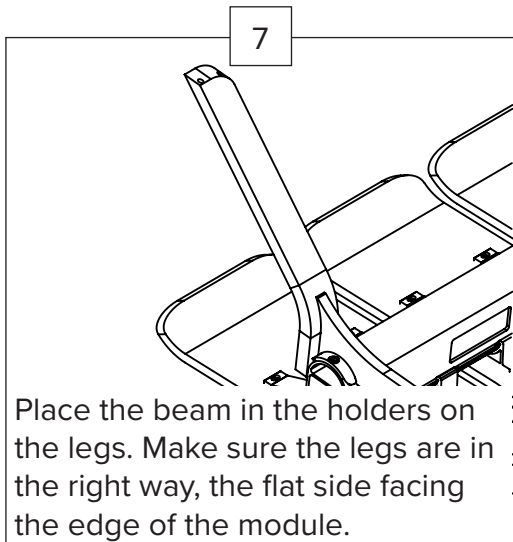
Ascent Single Back Convex





Assembly Instructions

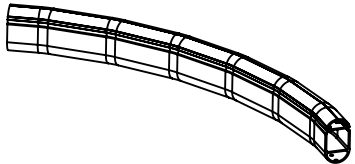
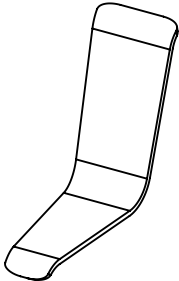
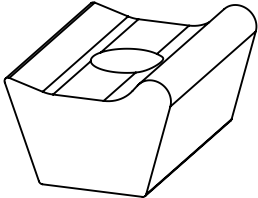
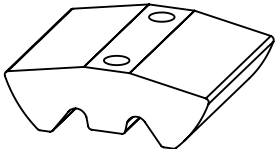
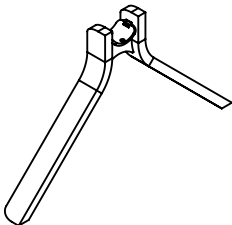

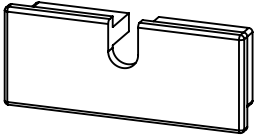
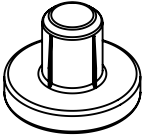
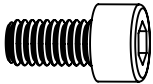
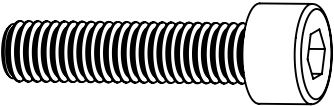
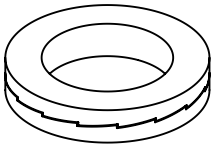
Ascent Single Back Convex





Parts

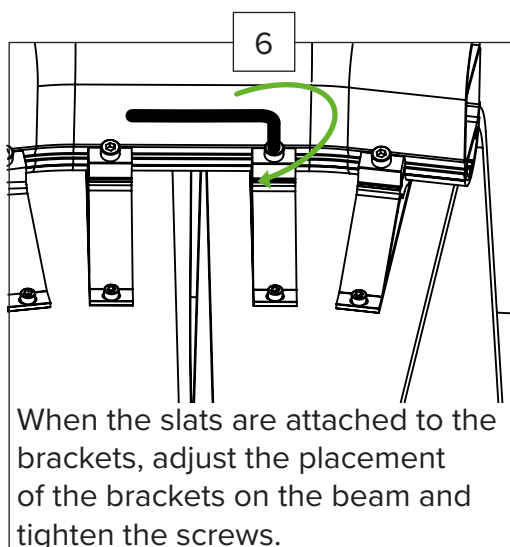
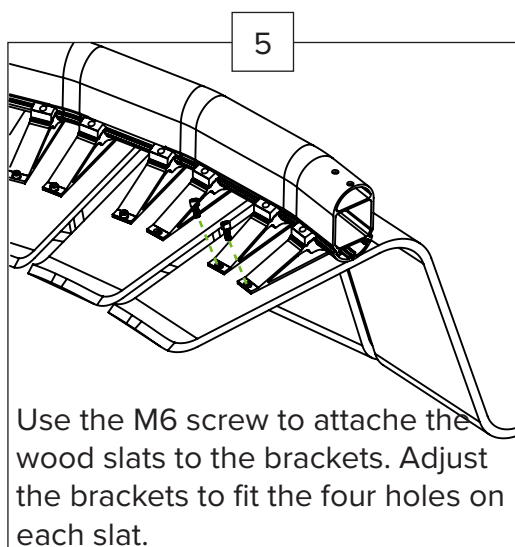
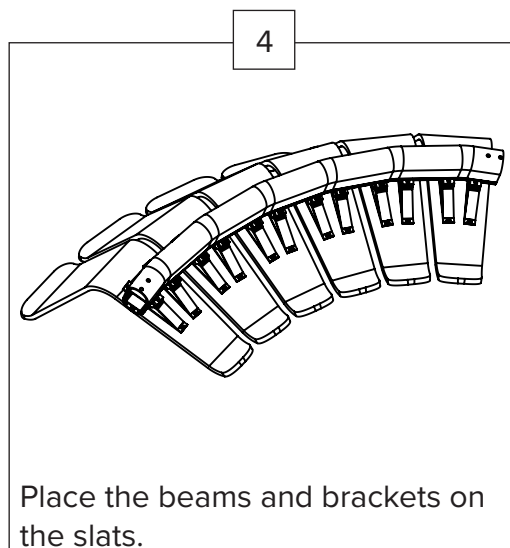
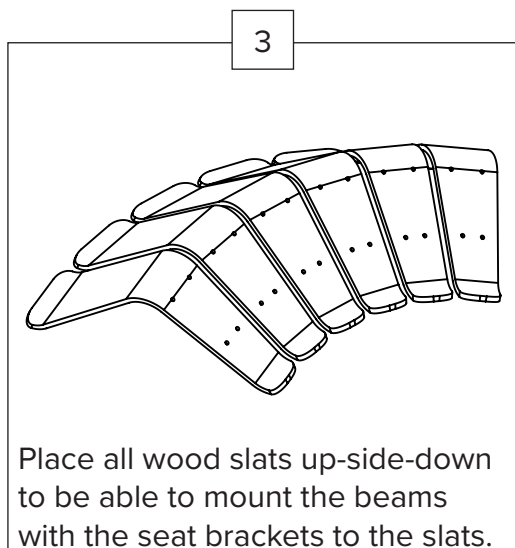
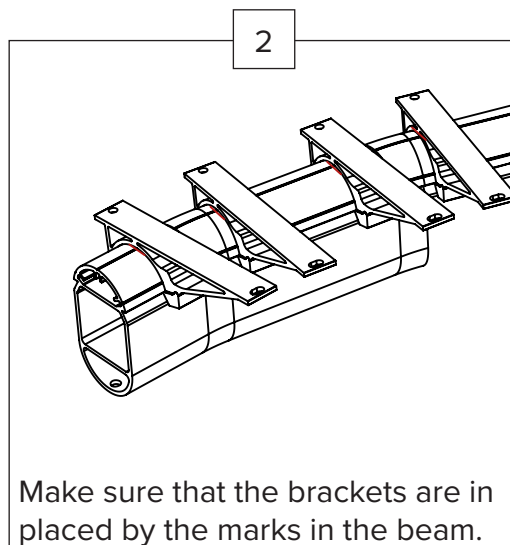
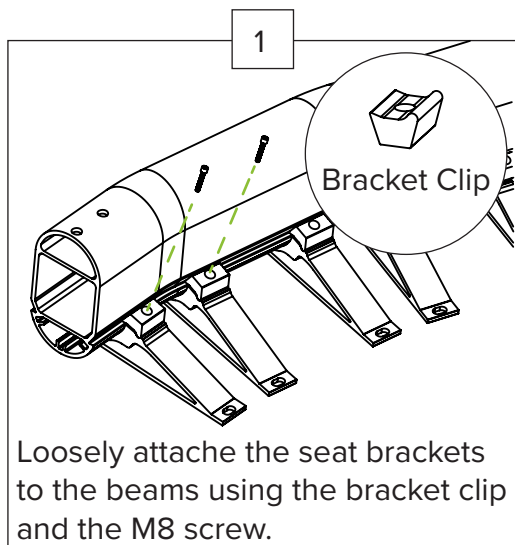
Ascent Single Back Concave

 <p>Beam Concave x1</p>	 <p>Wood Slats Bench Curved x6</p>	 <p>Bracket Clip x12</p>
 <p>Butterfly insert x2</p>	 <p>Double Leg x2</p>	 <p>Seat Bracket x12</p>
 <p>Cover Lid x3</p>	 <p>Glide x4</p>	 <p>Screw M6x12 x24</p>
 <p>Screw M8x35 x16</p>	 <p>Washer 8.7x13.5x2.5 x4</p>	



Assembly Instructions

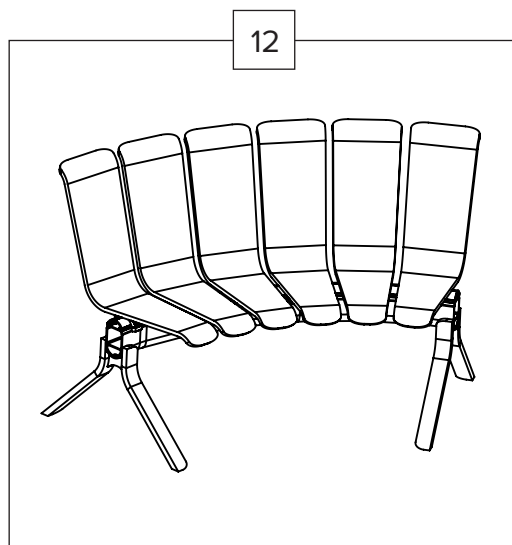
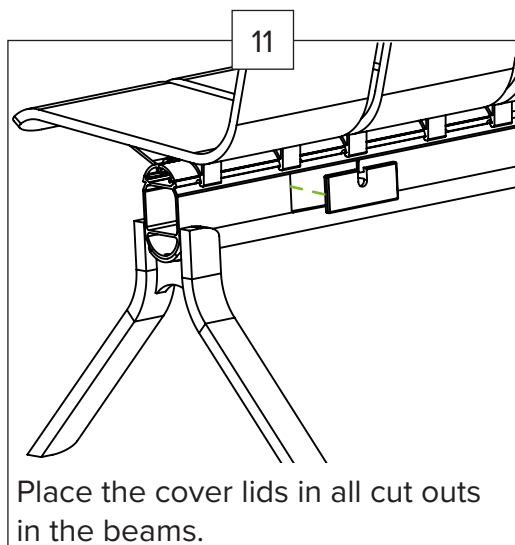
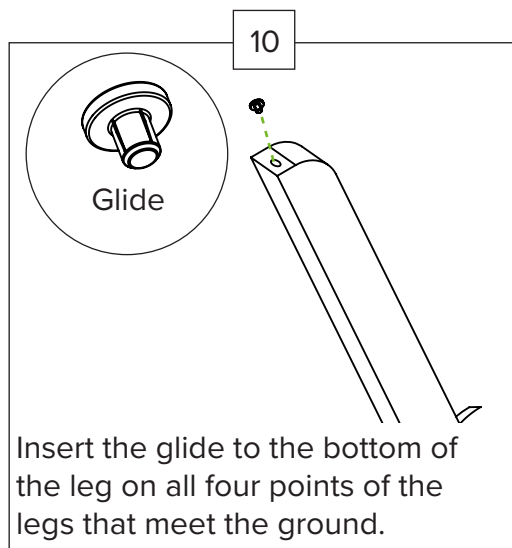
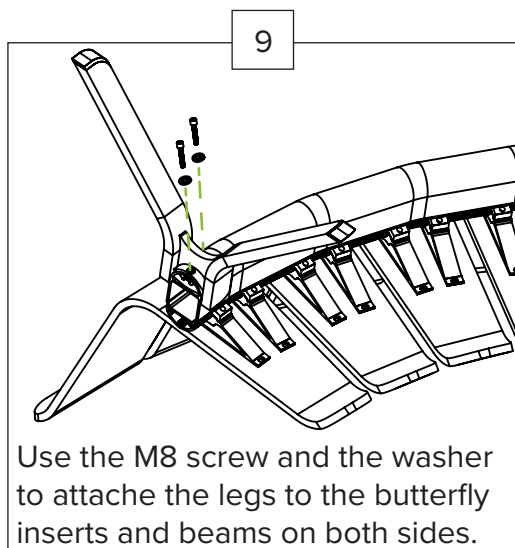
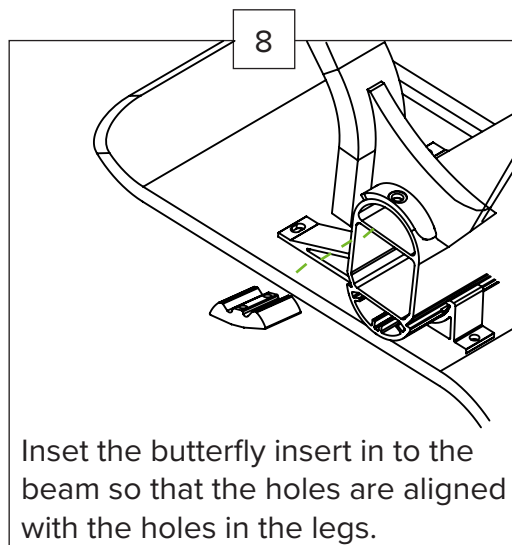
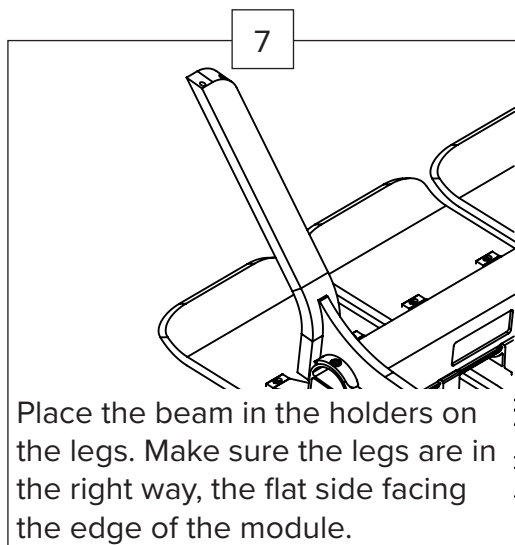
Ascent Single Back Concave





Assembly Instructions

Ascent Single Back Concave





Assembly Instructions

Leg Leveler

