

Perch Modules
Nova C Series



GREEN
FURNITURE
CONCEPT



Index

Apperance Nova C Perch.....	p1
Recycling	p2
Nova C Perch Straight Parts	p3
Assembly instructions Nova C Perch Straight	p4-5
Nova C Perch Concave Parts	p6
Assembly instructions Nova C Perch Concave	p7-8
Nova C Perch Convex Parts	p9
Assembly instructions Nova C Perch Convex.....	p10-11
Nova C Perch Double Stright Parts.....	p12
Assembly instructions Nova C Perch Double Straight	p13-14
Nova C Perch Double Curved Parts	p15
Assembly instructions Nova C Perch Double Curved	p16-17

Nova C Perch Straight



Nova C Perch Concave



Nova C Perch Convex



Nova C Perch Duble Straight



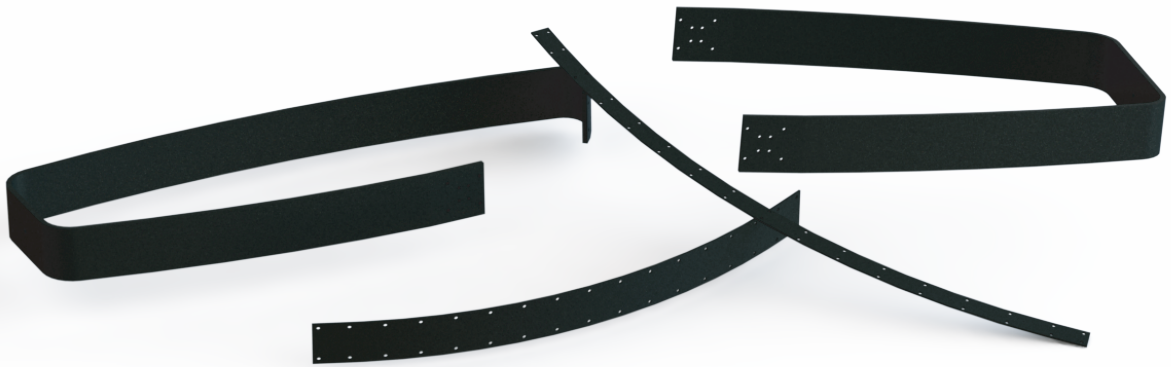
Nova C Perch Duble Curved



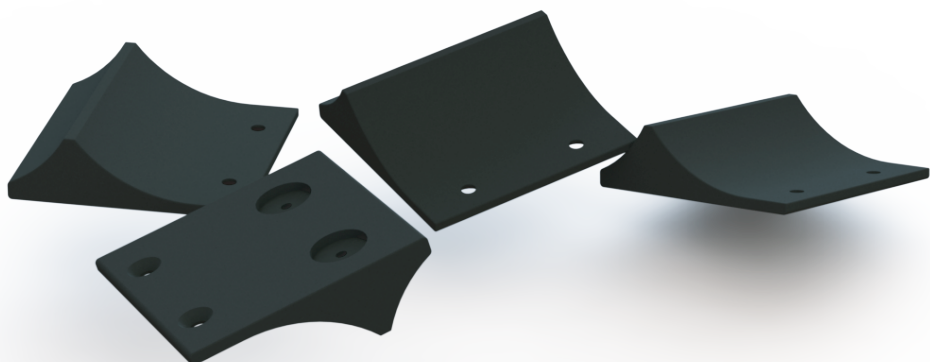
Wood



Metal

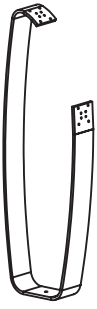
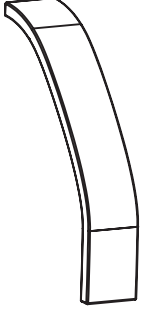


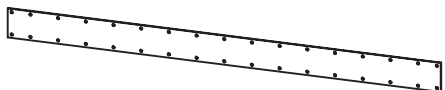
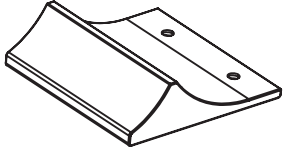
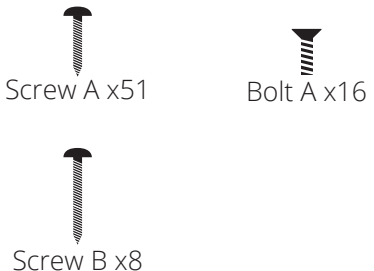
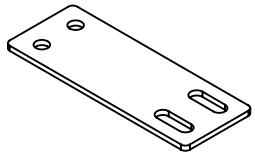


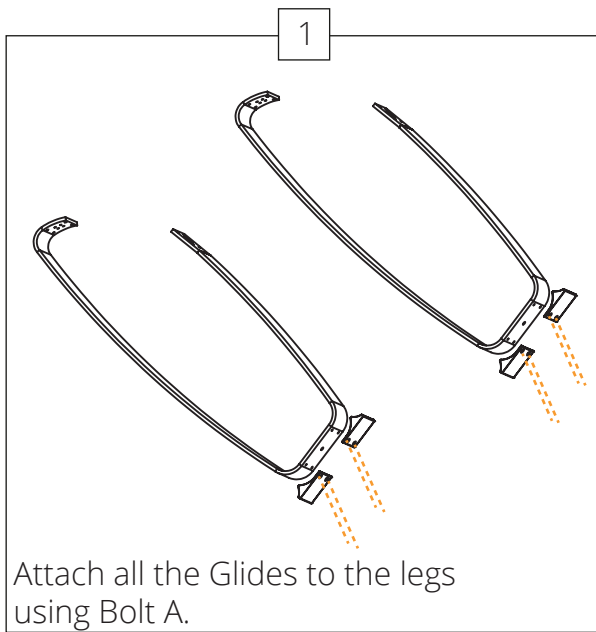
Plastic



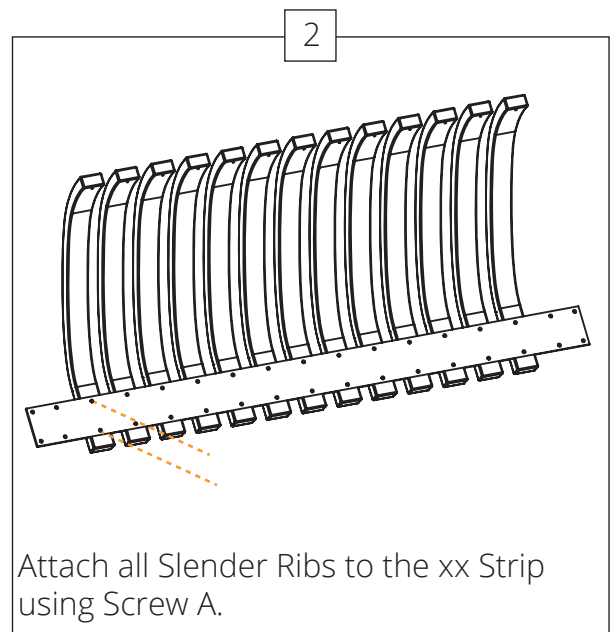


Parts
Nova C Perch Straight

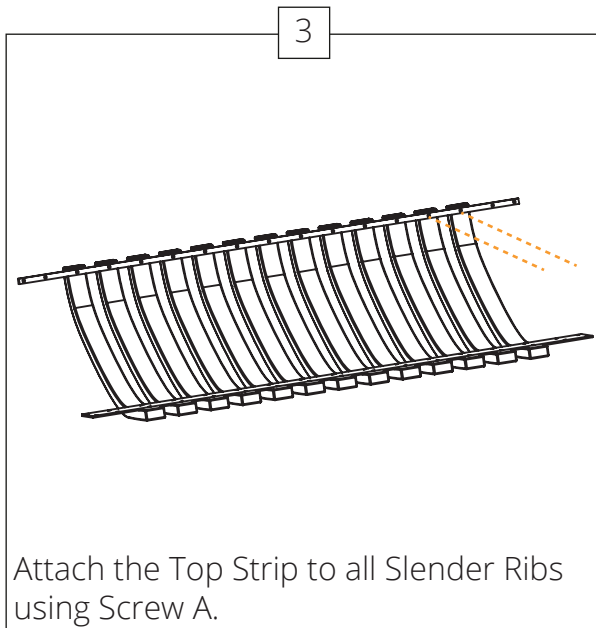
 <p>Nova C Perch SingleLeg x2</p>	 <p>Nova C Perch Wide Rib x2</p>	 <p>Nova C Perch Slender Rib x13</p>
 <p>Nova C Perch Strip Top x1</p>	 <p>Nova C Perch xx Strip x1</p>	 <p>Nova C Series Single Glides x4</p>
 <p>Screw A x51 Bolt A x16 Screw B x8</p>	 <p>Connection plate x2</p>	



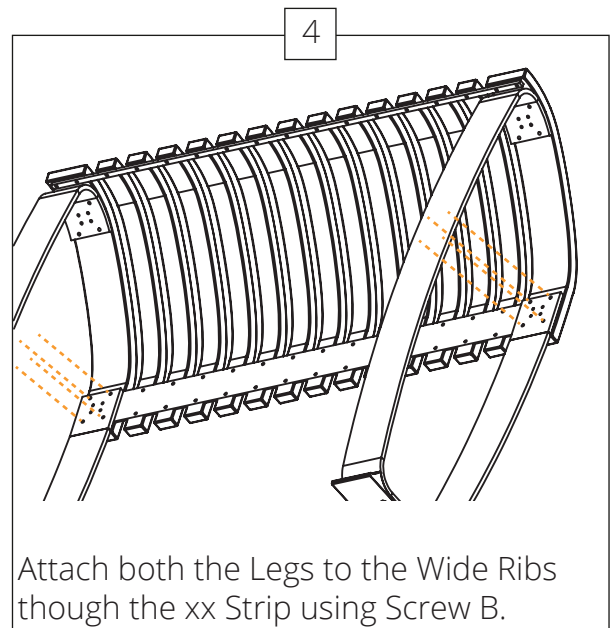
Attach all the Glides to the legs using Bolt A.



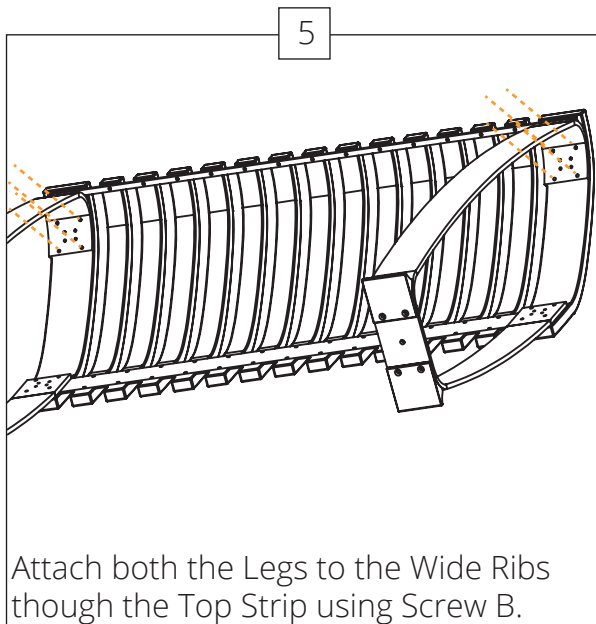
Attach all Slender Ribs to the xx Strip using Screw A.



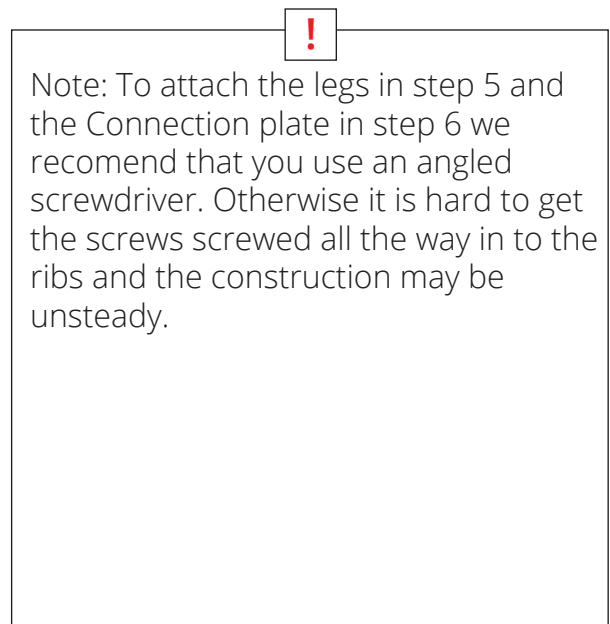
Attach the Top Strip to all Slender Ribs using Screw A.



Attach both the Legs to the Wide Ribs though the xx Strip using Screw B.

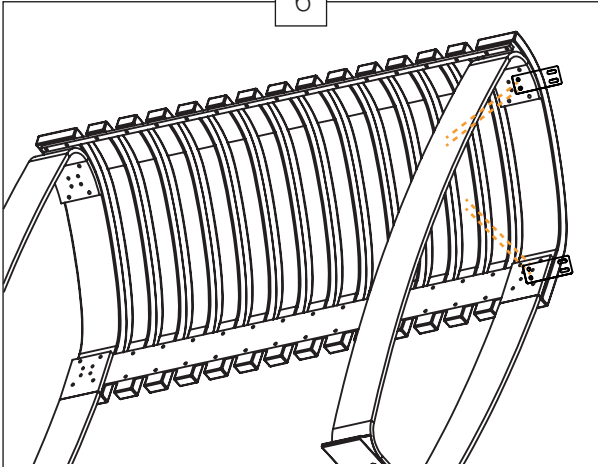


Attach both the Legs to the Wide Ribs though the Top Strip using Screw B.



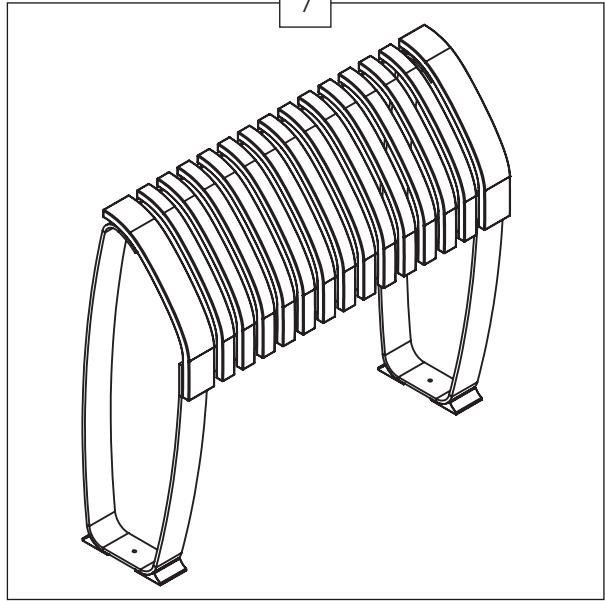
!
Note: To attach the legs in step 5 and the Connection plate in step 6 we recomend that you use an angled screwdriver. Otherwise it is hard to get the screws screwed all the way in to the ribs and the construction may be unsteady.

6

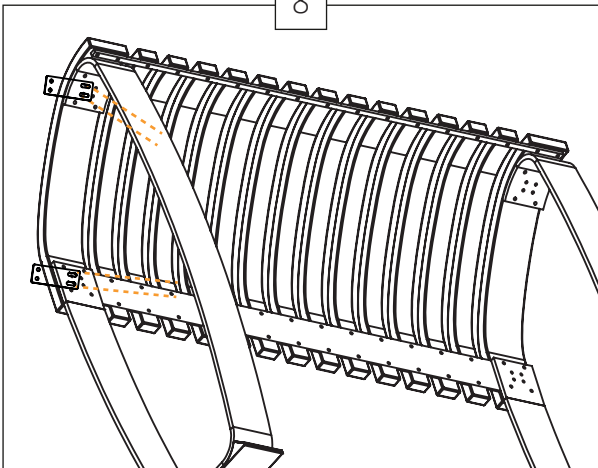


Use Bolt A to attach the Connection plates to the leg.

7

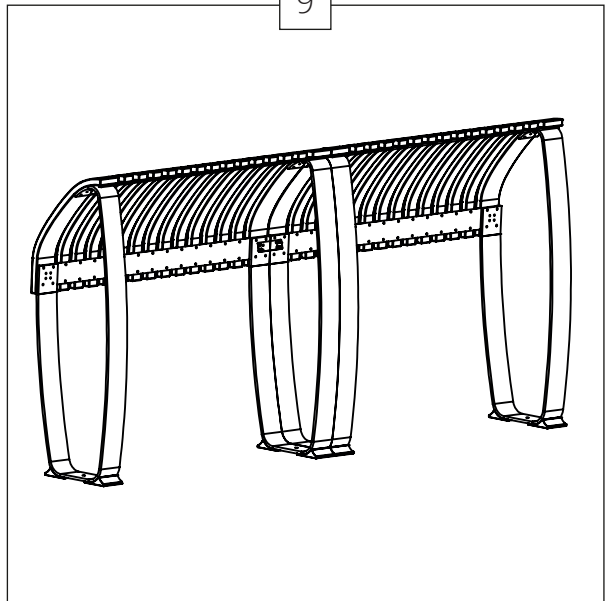


8

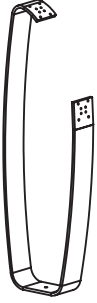



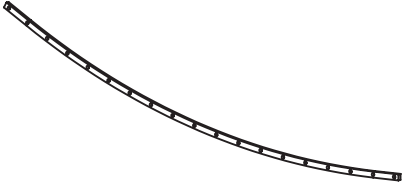
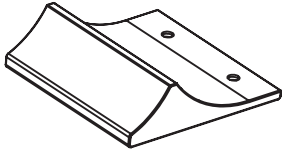
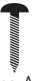

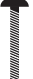
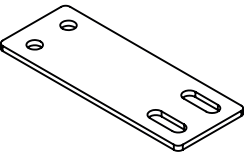


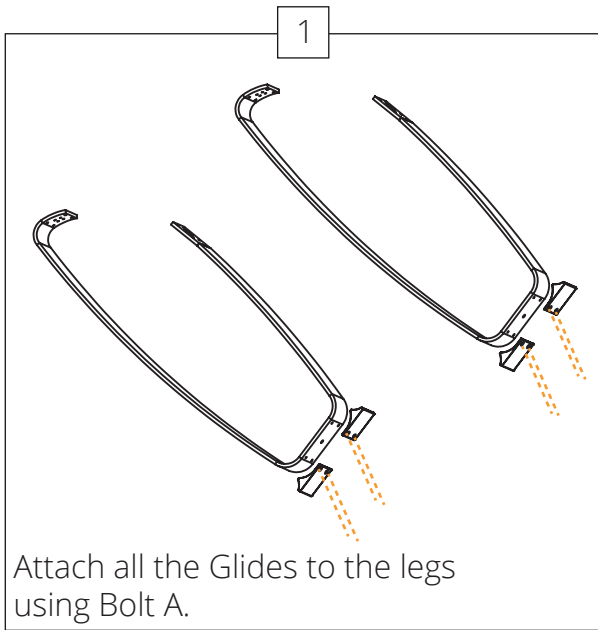
When modules stand next to each other, attach the other side of the Connection plate to the other module.

9

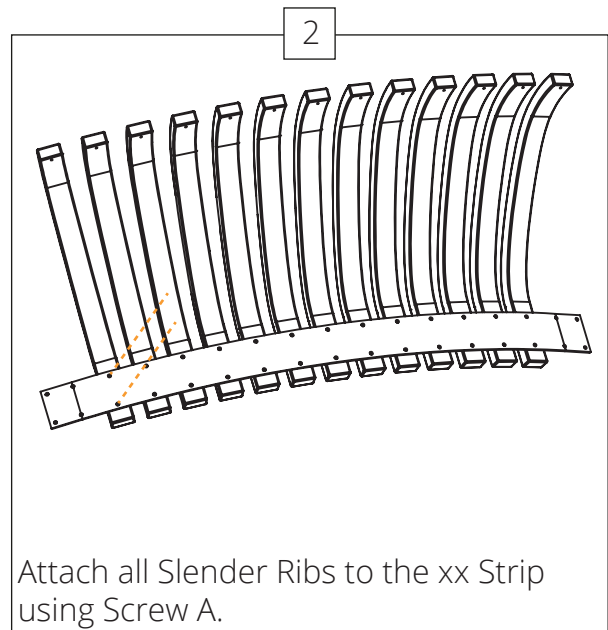




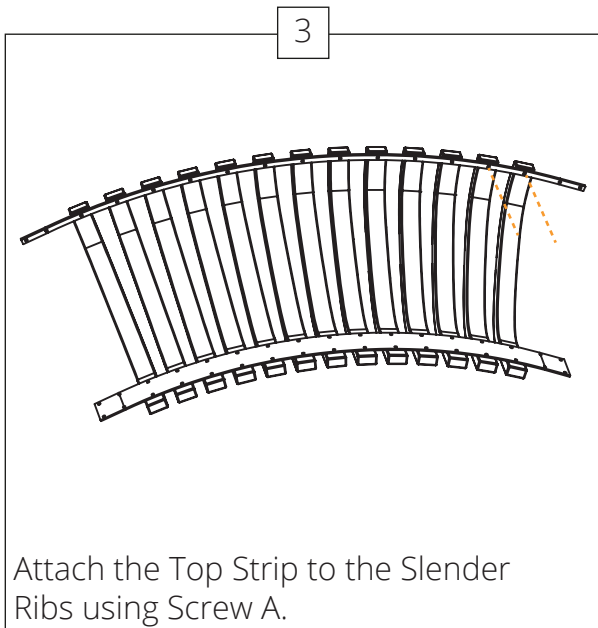
 <p>Nova C Perch SingleLeg x2</p>	 <p>Nova C Perch Wide Rib x2</p>	 <p>Nova C Perch Slender Rib x13</p>
 <p>Nova C Perch xx Strip Concave x1</p>	 <p>Nova C Perch Concave Strip Top x1</p>	 <p>Nova C Series Single Glides x4</p>
 <p>Screw A x51</p>  <p>Bolt A x16</p>  <p>Screw B x8</p>	 <p>Connection plate x2</p>	



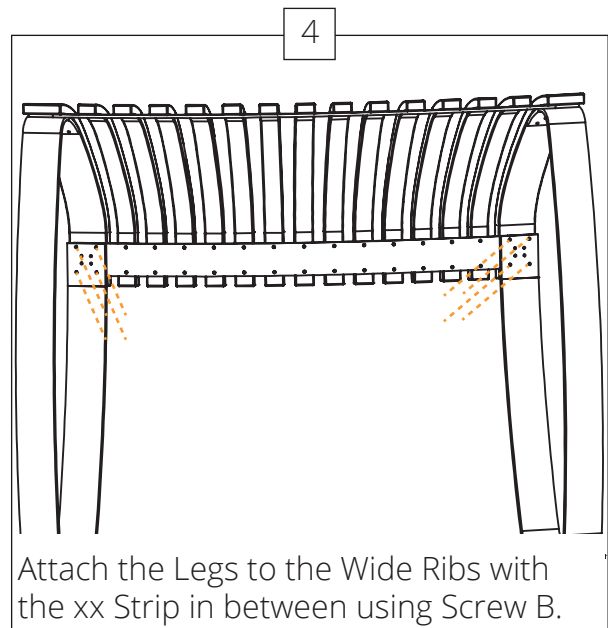
Attach all the Glides to the legs using Bolt A.



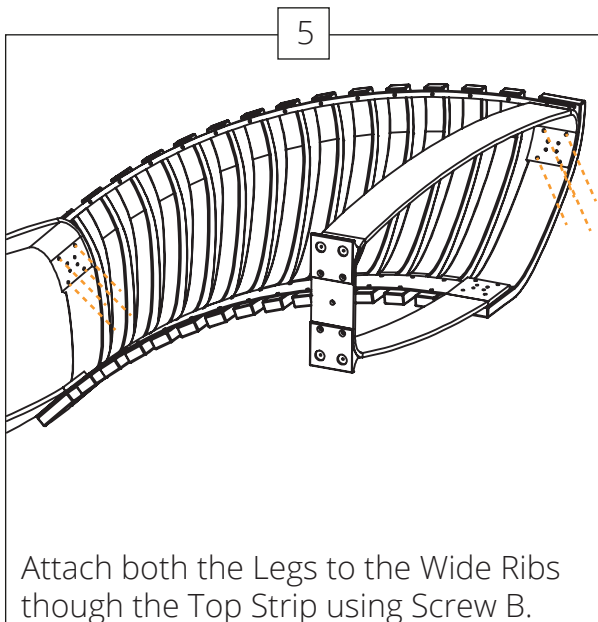
Attach all Slender Ribs to the xx Strip using Screw A.



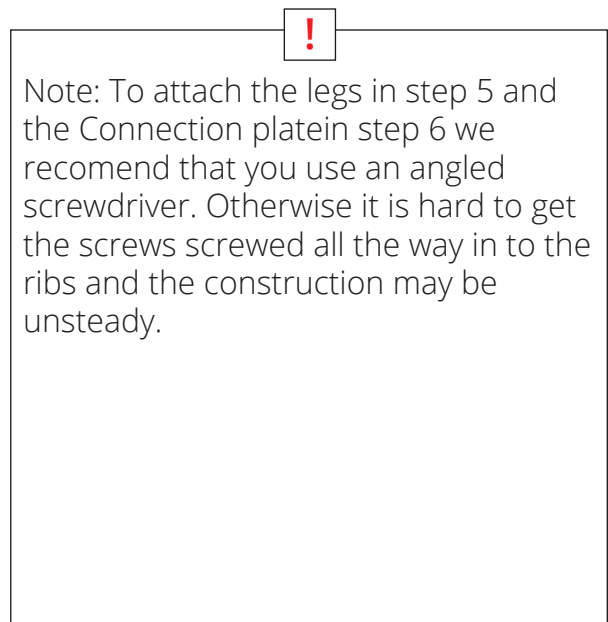
Attach the Top Strip to the Slender Ribs using Screw A.

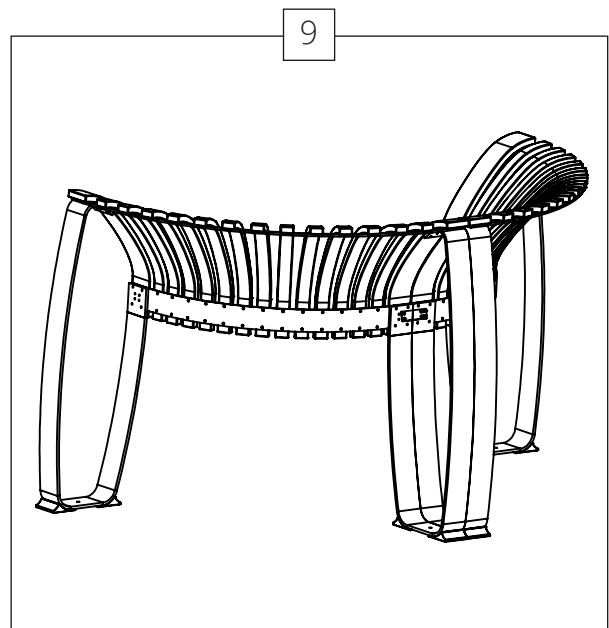
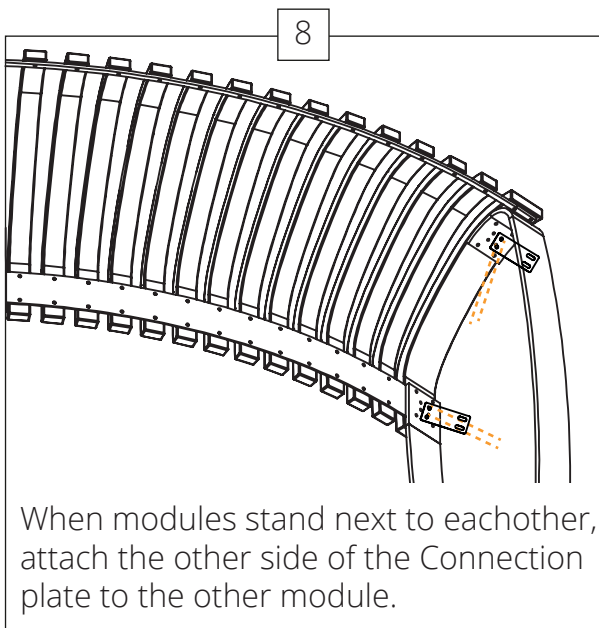
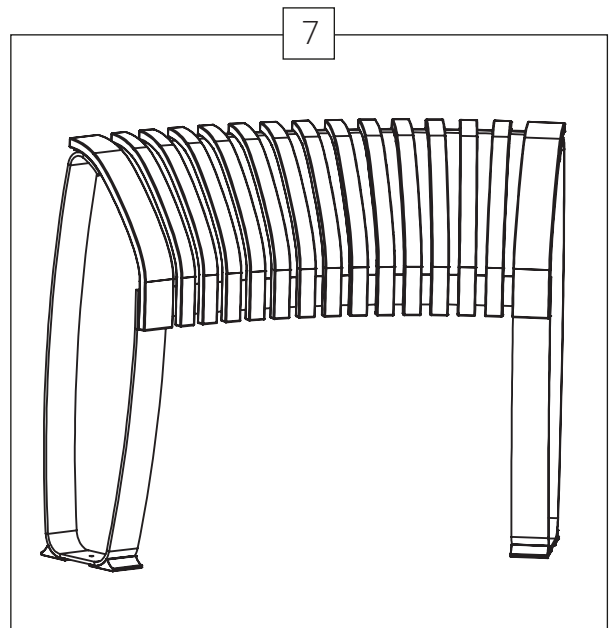
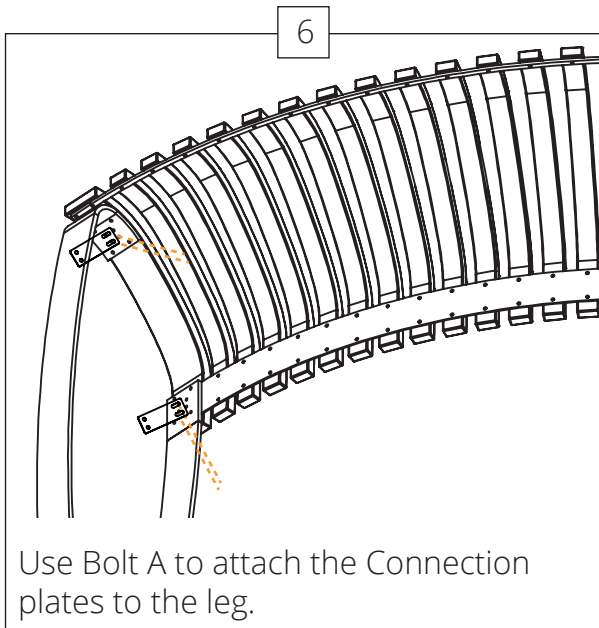


Attach the Legs to the Wide Ribs with the xx Strip in between using Screw B.

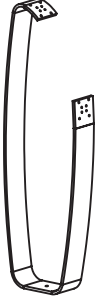



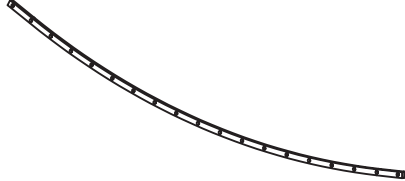
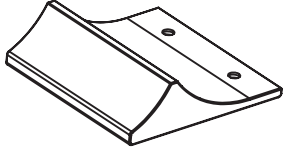



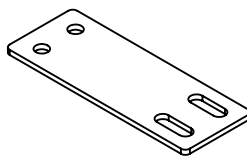


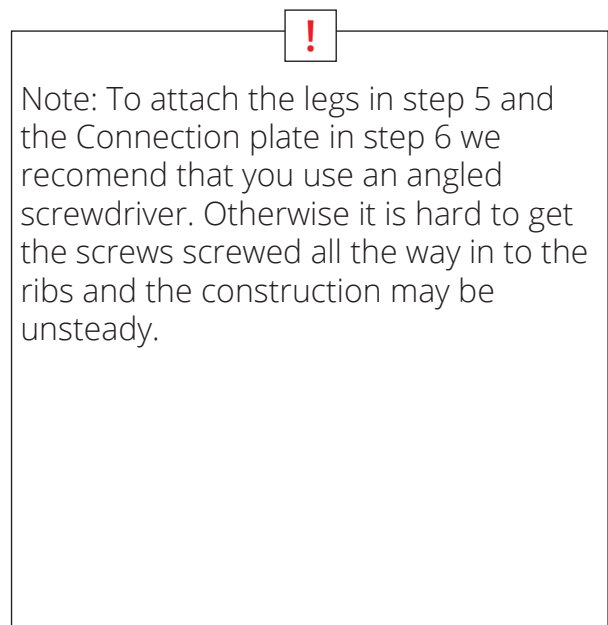
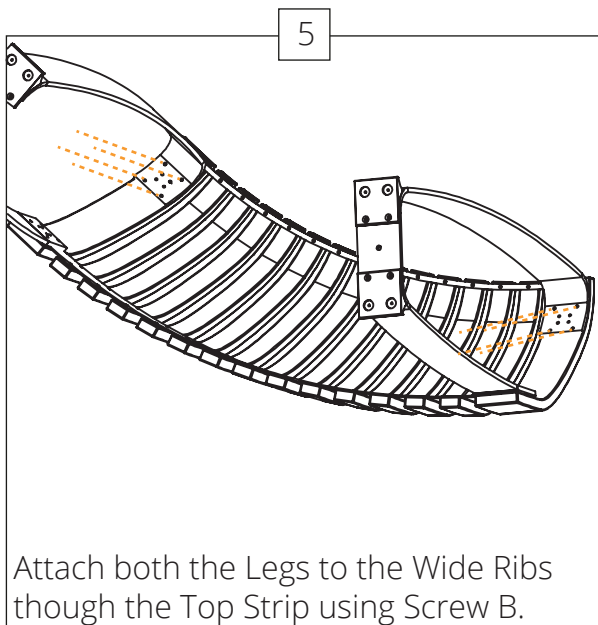
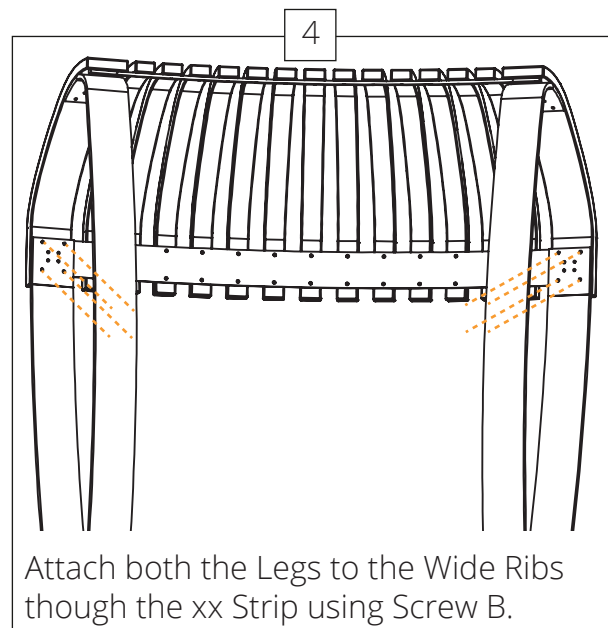
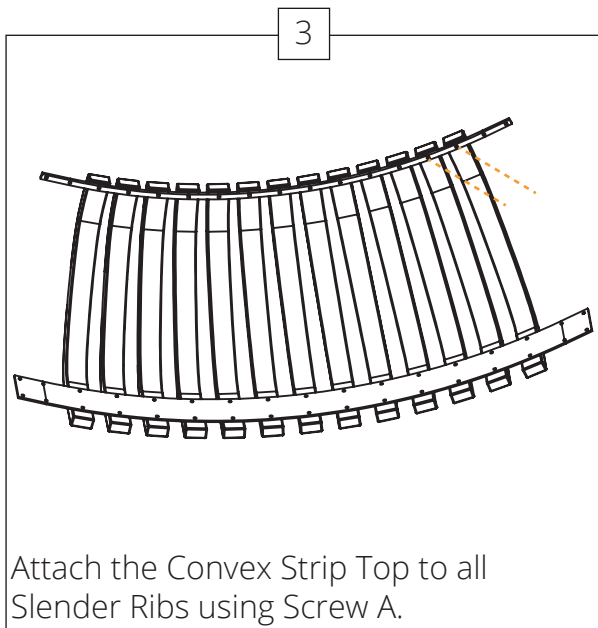
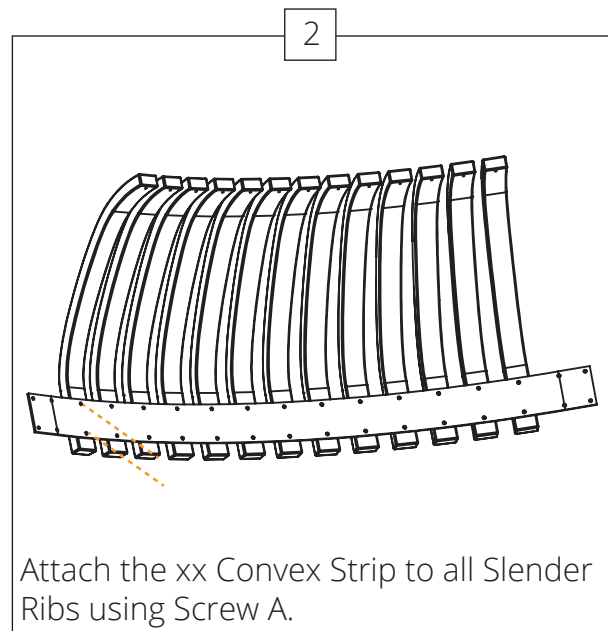
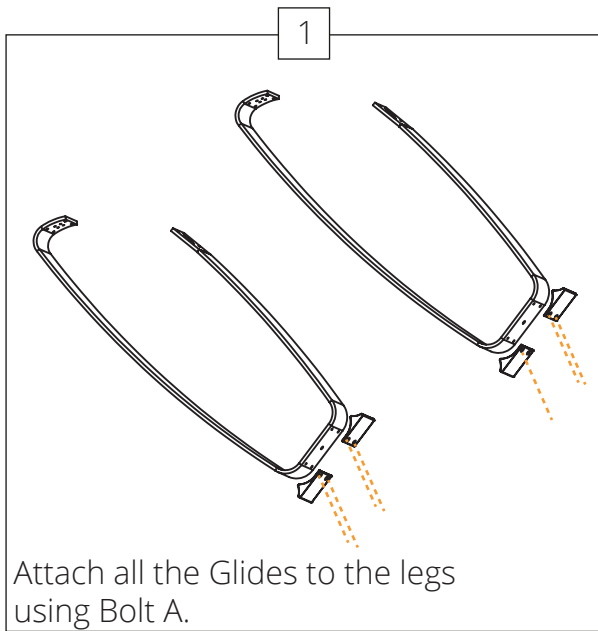
Attach both the Legs to the Wide Ribs through the Top Strip using Screw B.



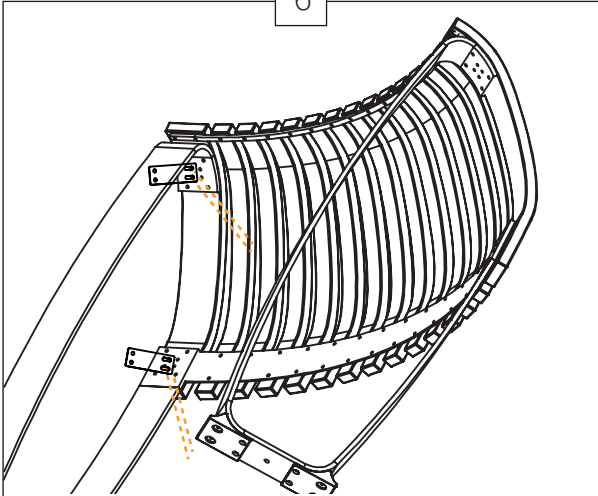




 <p>Nova C Perch SingleLeg x2</p>	 <p>Nova C Perch Wide Rib x2</p>	 <p>Nova C Perch Slender Rib x13</p>
 <p>Nova C Perch xx Strip Convex x1</p>	 <p>Nova C Perch Convex Strip Top x1</p>	 <p>Nova C Series Single Glides x4</p>
 <p>Screw A x51</p>  <p>Bolt A x16</p>  <p>Screw B x8</p>	 <p>Connection plate x2</p>	

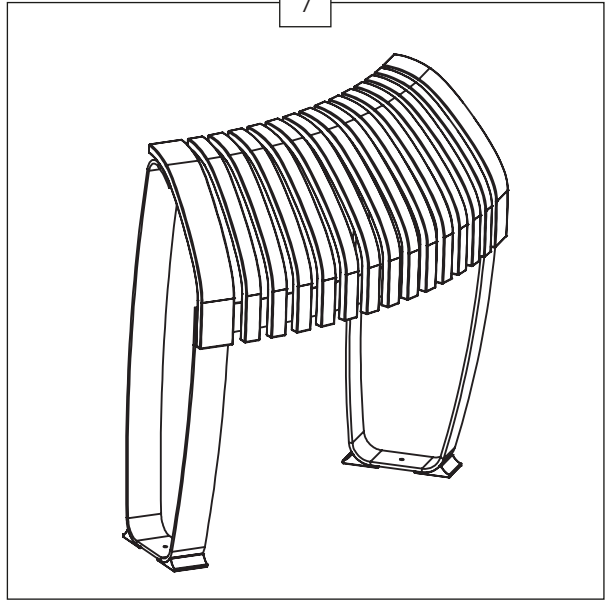


6

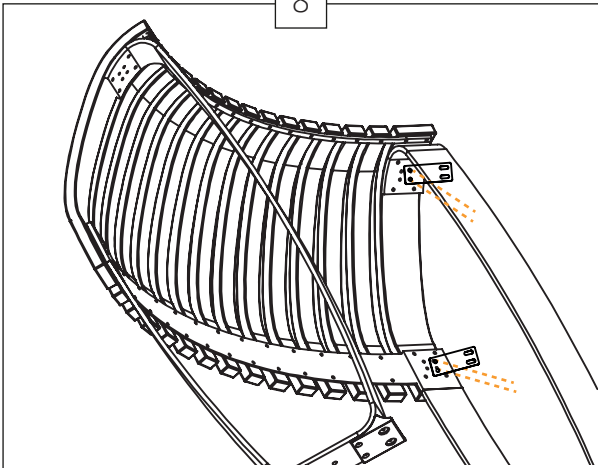


Use Bolt A to attach the Connection plates to the leg.

7

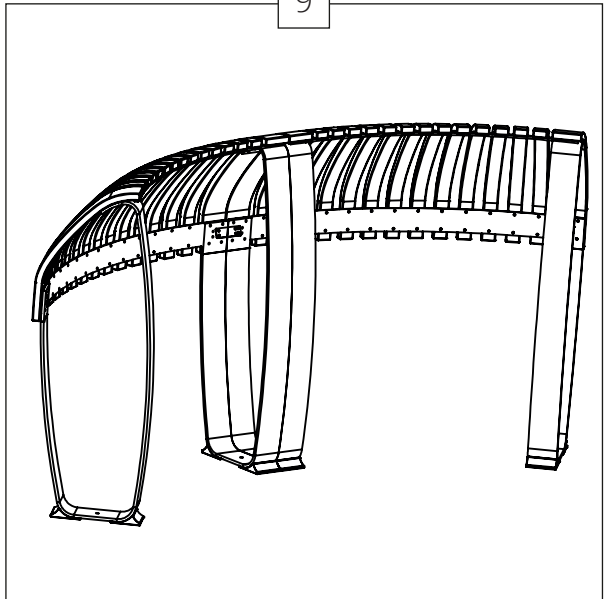


8



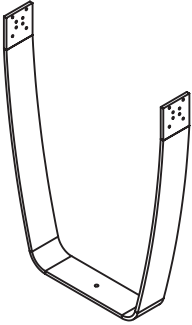


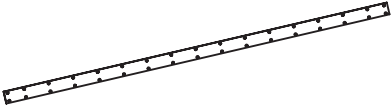
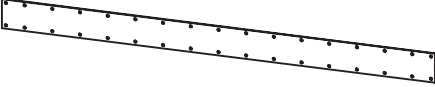
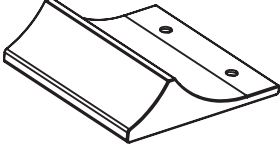



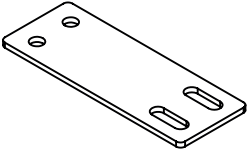
When modules stand next to each other, attach the other side of the Connection plate to the other module.

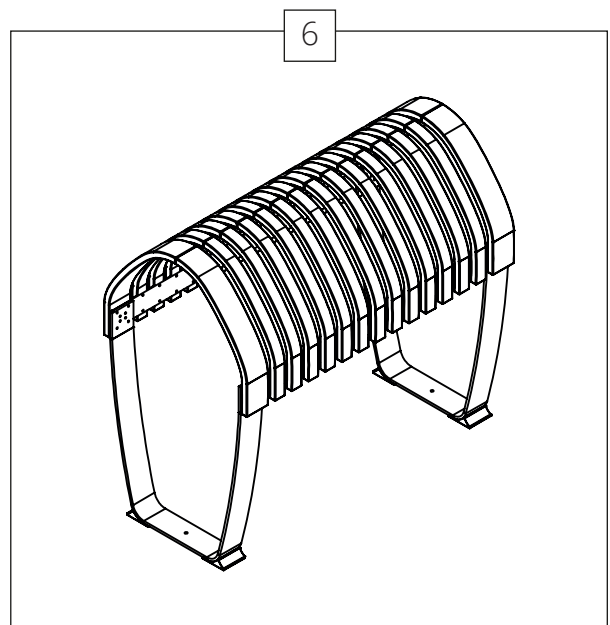
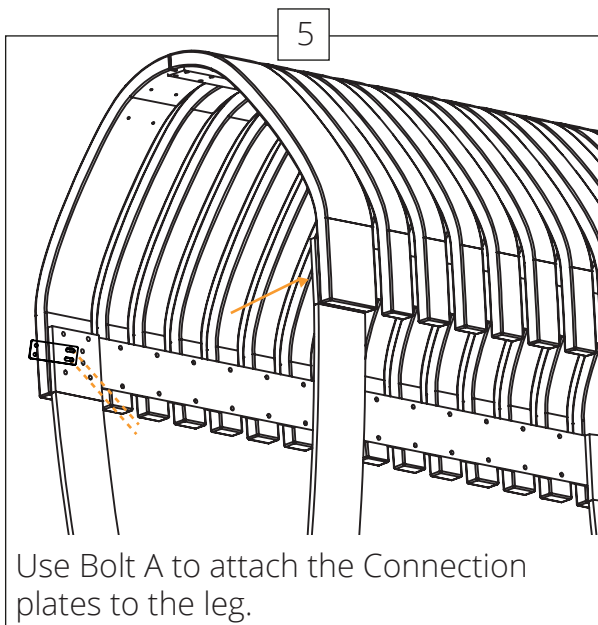
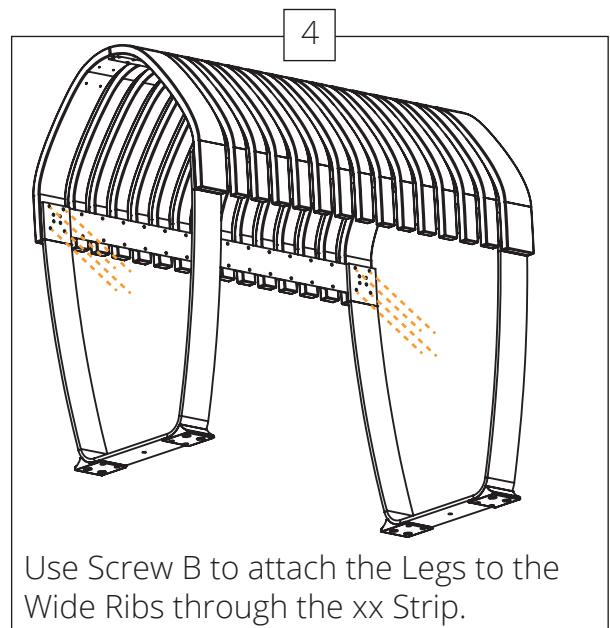
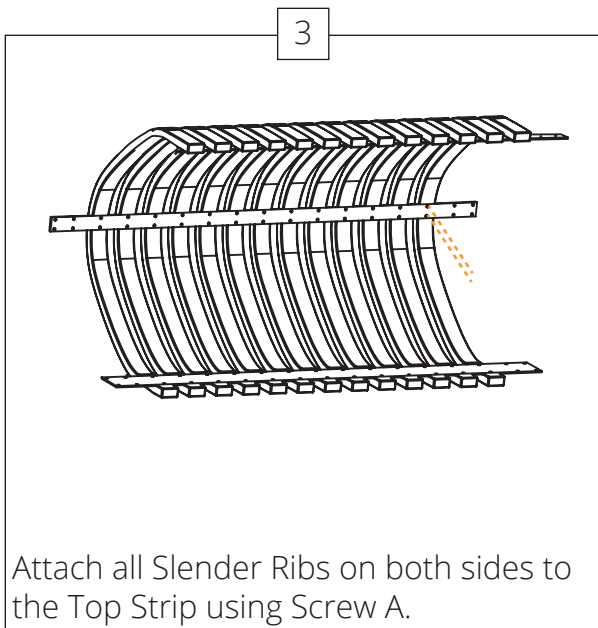
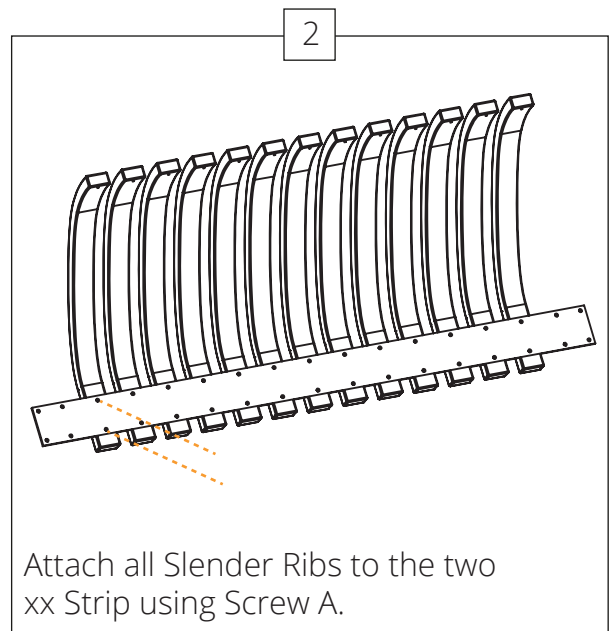
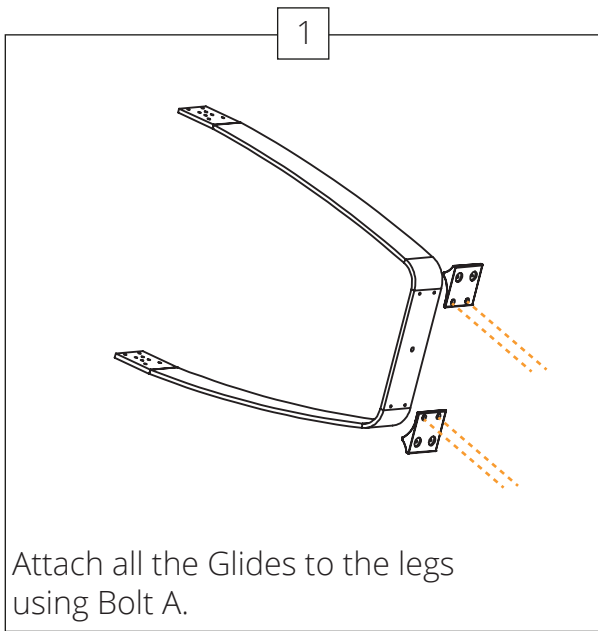
9

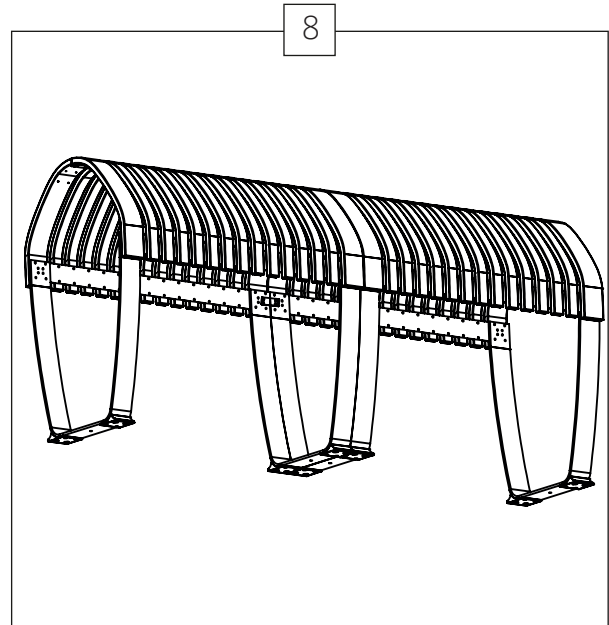
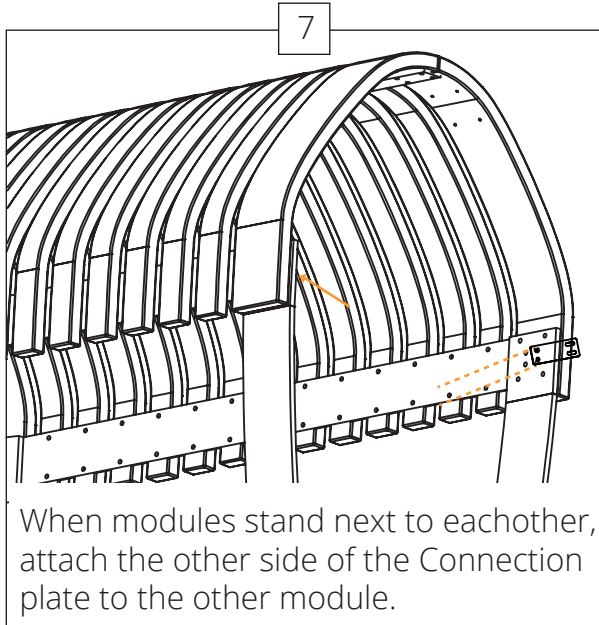




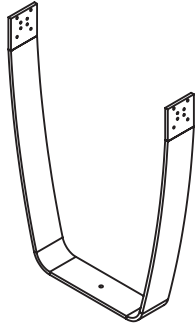


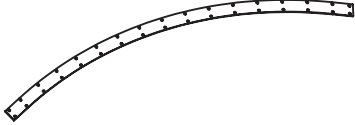
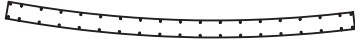
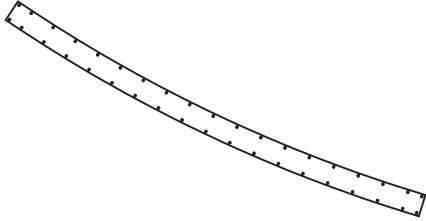
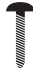

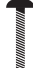
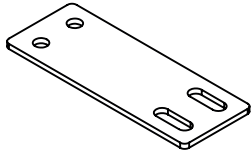
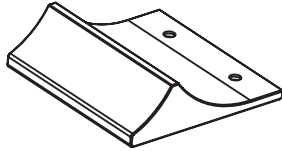
Parts
Nova C Perch Double Straight

 <p>Nova C Perch Doble Leg x2</p>	 <p>Nova C Perch Wide Rib x4</p>	 <p>Nova C Perch Slender Rib x26</p>
 <p>Nova C Perch Strip Top x1</p>	 <p>Nova C Perch xx Strip x2</p>	 <p>Nova C Series Single Glides x4</p>
 <p>Screw A x86</p>  <p>Bolt A x16</p>  <p>Screw B x16</p>	 <p>Connection plate x2</p>	

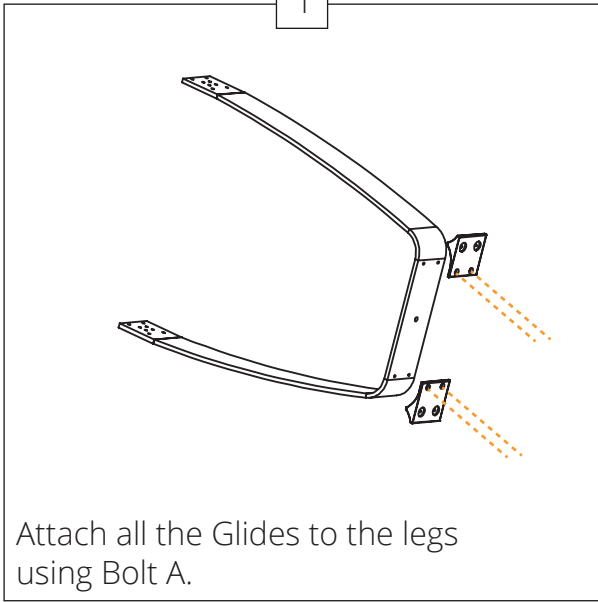






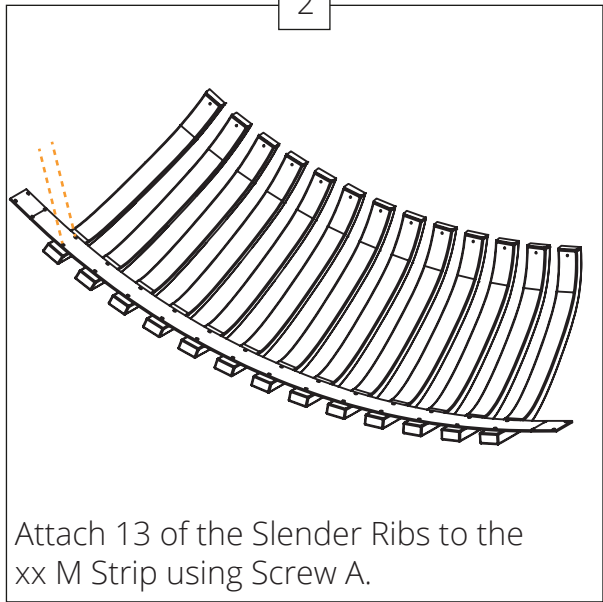
 <p>Nova C Perch Doble Leg x2</p>	 <p>Nova C Perch Wide Rib x4</p>	 <p>Nova C Perch Slender Rib x26</p>
 <p>Nova C Perch Strip Top x1</p>	 <p>Nova C Perch xx S Strip x1</p>	 <p>Nova C Perch xx M Strip x1</p>
 <p>Screw A x86</p>  <p>Bolt A x16</p>  <p>Screw B x16</p>	 <p>Connection plate x2</p>	 <p>Nova C Series Single Glides x4</p>

1



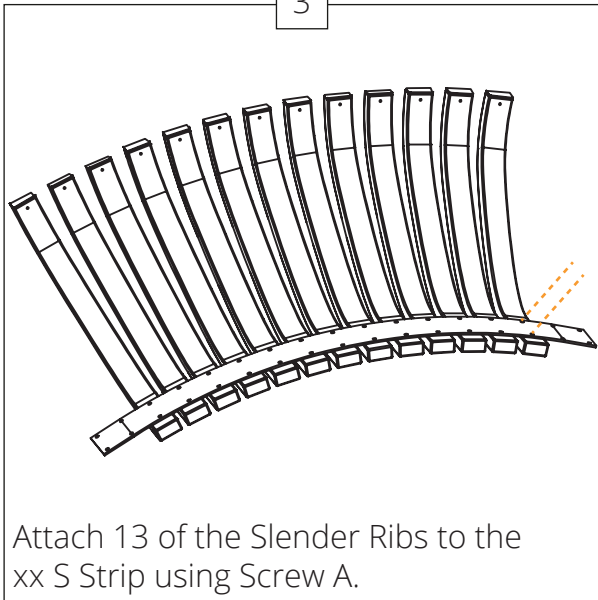
Attach all the Glides to the legs using Bolt A.

2



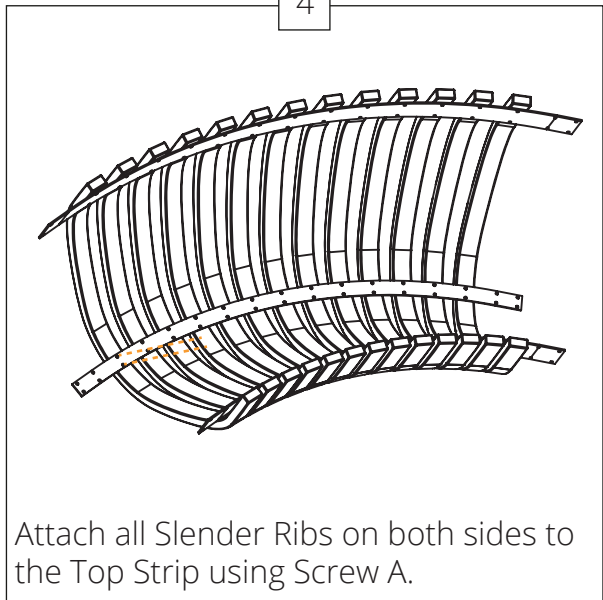
Attach 13 of the Slender Ribs to the xx M Strip using Screw A.

3



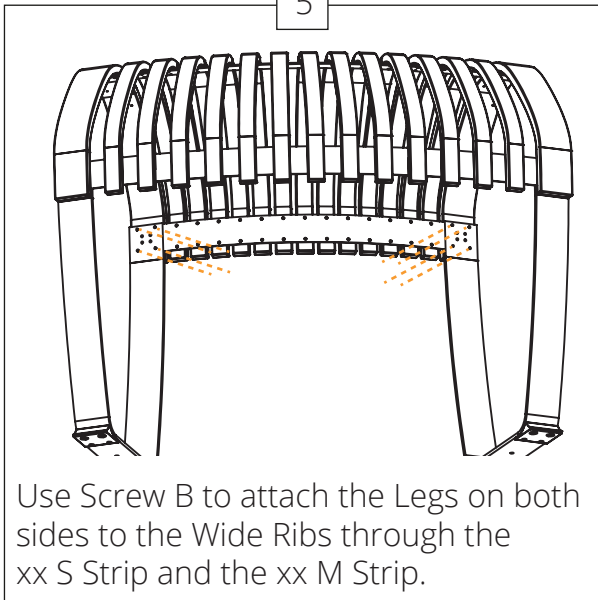
Attach 13 of the Slender Ribs to the xx S Strip using Screw A.

4



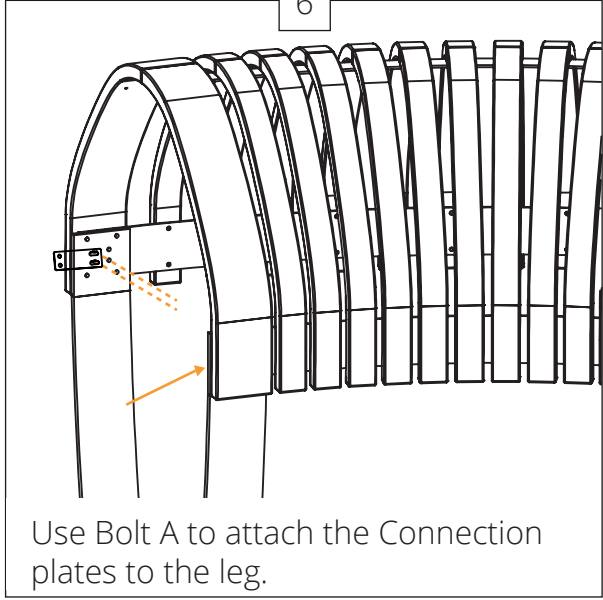
Attach all Slender Ribs on both sides to the Top Strip using Screw A.

5

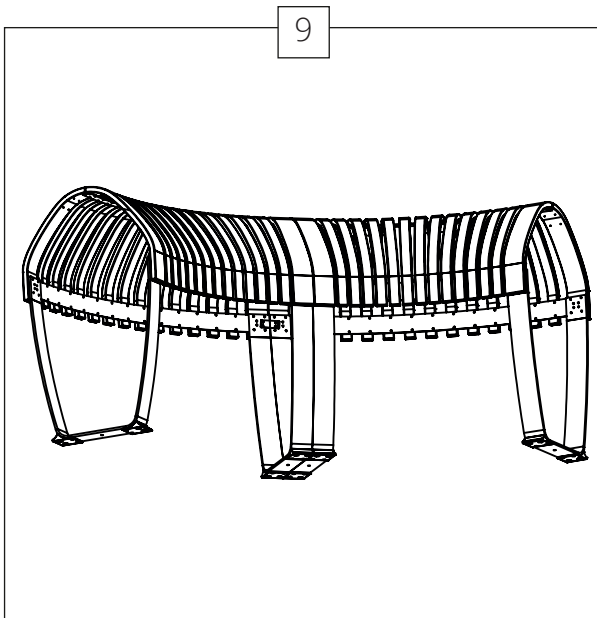
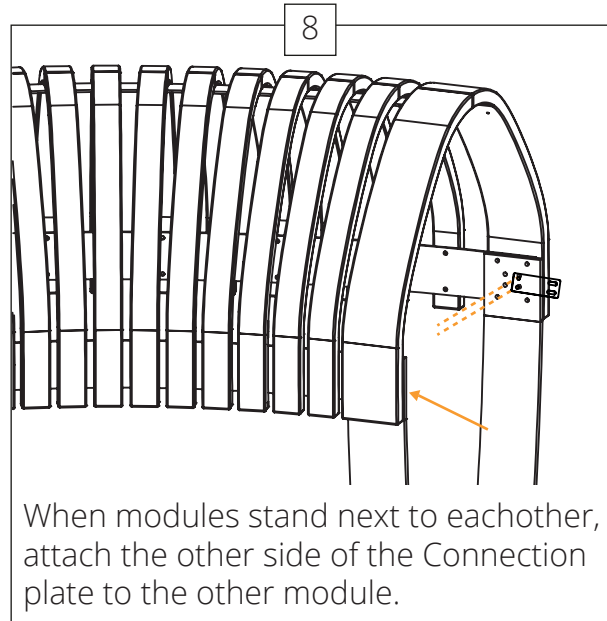
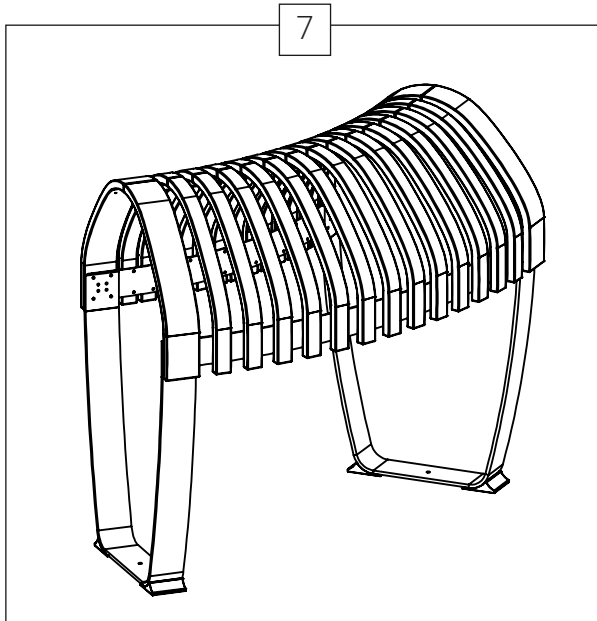


Use Screw B to attach the Legs on both sides to the Wide Ribs through the xx S Strip and the xx M Strip.

6



Use Bolt A to attach the Connection plates to the leg.





**GREEN
FURNITURE
CONCEPT**