



Nova C Series Bench

The configurably winding Nova C allows grand seating in scale with grand indoor spaces. The bench shapes a seamless seating line for natural flow control, while the body-conscious contours ensure comfort. The small footprint makes efficient use of the space. And the configurability also goes into colors and accessories - every project can be unique.

Warranty

15 year warranty. At the end of the lifecycle, all parts can be separated to material level and recycled. Part of Green's Buyback System.

Sustainability Information

- 100% certified sourced wood from responsible forestry
- 100% Recycled HDPE OceanIX plastic, made from old fishing nets
- Legs 100% recycled steel. Metal strips 20% recycled steel. Overall 85% recycled steel
- Wood parts: hard wax oil with 0% VOC and zero chemicals on the SIN-list
- Metal parts: powder coating with zero chemicals on the SIN-list
- Non-toxic adhesive, unclassified according to 1272/2008 [CLP/GHS]
- Each part can be replaced individually for easy maintenance during the product's life cycle

Variations

- Nova C Bench 100
- Nova C Bench 150
- Nova C Bench 30°
- Nova C Bench 45°
- Nova C Bench 90°

Materials & Finishes

The metal parts are powder coated and the colours has zero chemicals on the SIN-list. We can provide almost any RAL colour for the metal parts.

All wooden parts are treated with an organic hard wax oil with 0% VOC and zero chemicals on the SIN-list. The har wax oil is available in a wide range of colours. We provide 12 colours in our standard range but we can also provide a variation of custom colours.

Legs and metal strips are made from steel, and wooden ribs are made from bent plywood with oak surface veneer.



Standard Colours



Custom Colours

Nova C Series Bench

Maintenance & Cleanability

For cleaning of the wood surfaces use Rubio Monocoat SOAP. The Rubio Monocoat SOAP is available to buy in concentrate 1l and 2l cans. The mixture is efficient on most stains. Use a microfibre cloth.

The maintenance for metal parts only consists of cleaning. The cleaning can easily be done by wiping surfaces of with water and a cloth.

Standards & Certificates

- EN 16139
- ANSI BIFMA X5.4 2012
- EN 13501-1
- DIN 1402-1
- UNI 9177, class 2 certification
- BS 5852: 2006 Clause 12 source 5 (Crib 7)
- Möbelfakta
- CE

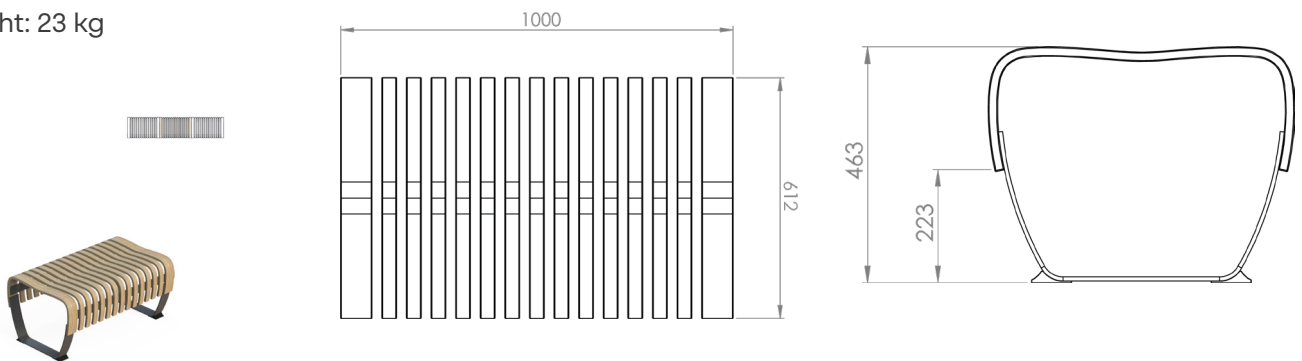
Sizes & Measurements

The modules of the Nova C Series varies in length and curvature.

Name: Nova C Bench 100

Article Number: NBE1

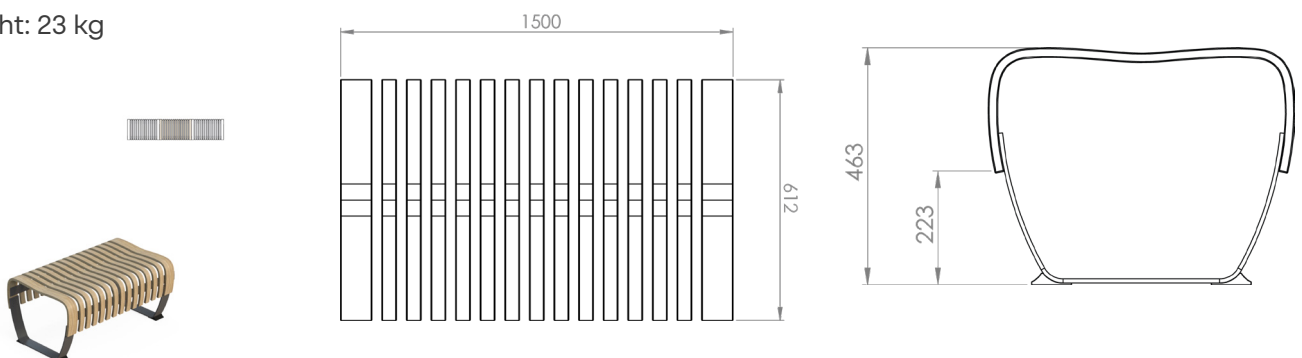
Weight: 23 kg



Name: Nova C Bench 150

Article Number: NBE5

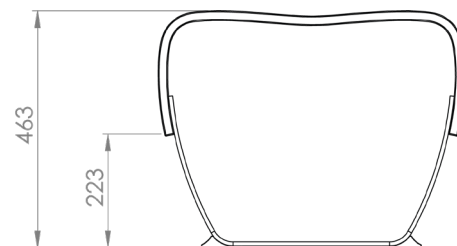
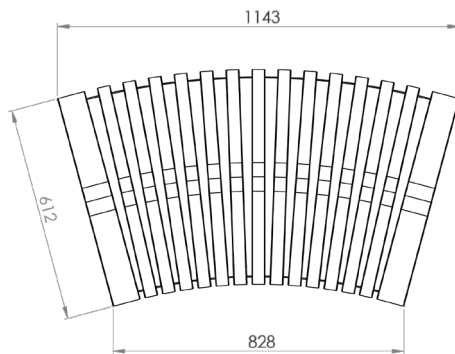
Weight: 23 kg



Name: Nova C Bench 30°

Article Number: NBE2_30

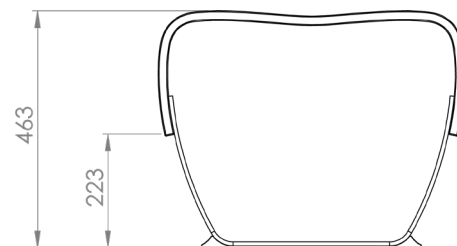
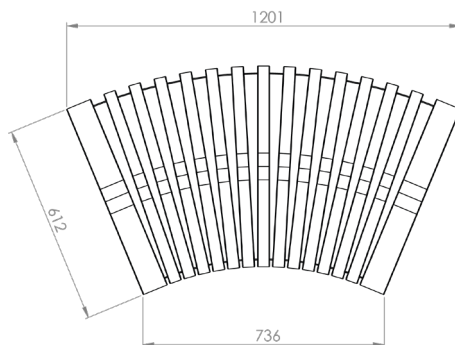
Weight: 23 kg



Name: Nova C Bench 45°

Article Number: NBE2_45

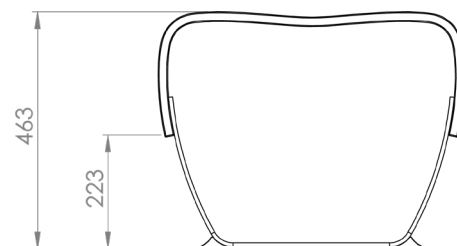
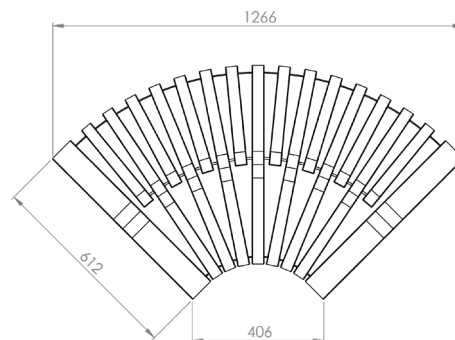
Weight: 23 kg



Name: Nova C Bench 90°

Article Number: NBE2_90

Weight: 23 kg



GLOBAL
Carlsgatan 3
211 20 Malmö, Sweden
+46 (0)40 600 93 30

AMERICAS
15 Main St #244
Watertown MA, 02472 USA
Toll Free: 1 (877) 582-8664