



Nova C Series Double Perch

The Nova C Perch standing bench provides more seating in less space, creating places for individuals to take a brief pause or wait for a short time. The seat supports those leaning against it, enabling them to remain upright on their feet. The Nova C Perch bench makes it easier to keep people on the move as they traverse through busy environments.

Warranty

15 year warranty. At the end of the lifecycle, all parts can be separated to material level and recycled. Part of Green's Buyback System.

Sustainability Information

- 100% certified sourced wood from responsible forestry
- 100% Recycled HDPE OceanIX plastic, made from old fishing nets
- Legs 100% recycled steel. Metal strips 20% recycled steel. Overall 85% recycled steel
- Wood parts: hard wax oil with 0% VOC and zero chemicals on the SIN-list
- Metal parts: powder coating with zero chemicals on the SIN-list
- Non-toxic adhesive, unclassified according to 1272/2008 [CLP/GHS]
- Each part can be replaced individually for easy maintenance during the product's life cycle

Variations

- Nova C Double Perch
- Nova C Double Perch 30°
- Nova C Double Perch 45°

Materials & Finishes

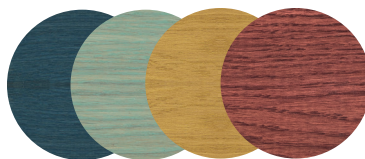
The metal parts are powder coated and the colours has zero chemicals on the SIN-list. We can provide almost any RAL colour for the metal parts.

All wooden parts are treated with an organic hard wax oil with 0% VOC and zero chemicals on the SIN-list. The har wax oil is available in a wide range of colours. We provide 12 colours in our standard range but we can also provide a variation of custom colours.

Legs and metal strips are made from steel, and wooden ribs are made from bent plywood with oak surface veneer.



Standard Colours



Custom Colours

Nova C Series Double Perch

Maintenance & Cleanability

For cleaning of the wood surfaces use Rubio Monocoat SOAP. The Rubio Monocoat SOAP is available to buy in concentrate 1l and 2l cans. The mixture is efficient on most stains. Use a microfibre cloth.

The maintenance for metal parts only consists of cleaning. The cleaning can easily be done by wiping surfaces of with water and a cloth.

Standards & Certificates

- EN 12727
- ANSI BIFMA X5.4 2012
- EN 13501-1
- DIN 1402-1
- UNI 9177, class 2 certification
- BS 5852: 2006 Clause 12 source 5 (Crib 7)
- Möbelfakta
- CE

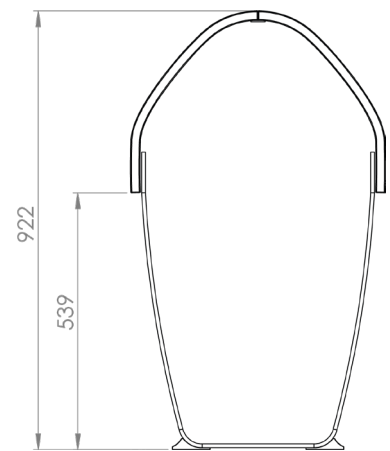
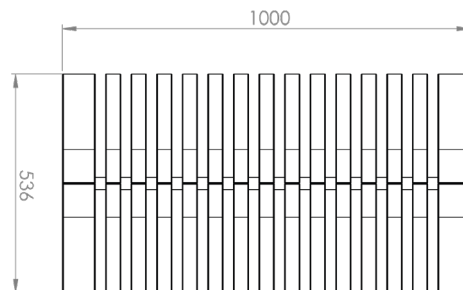
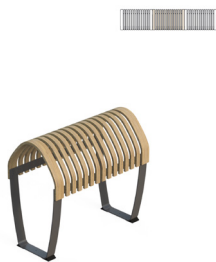
Sizes & Measurements

The modules of the Nova C Series varies in length and curvature.

Name: Nova C Double Perch

Article Number: NPED1

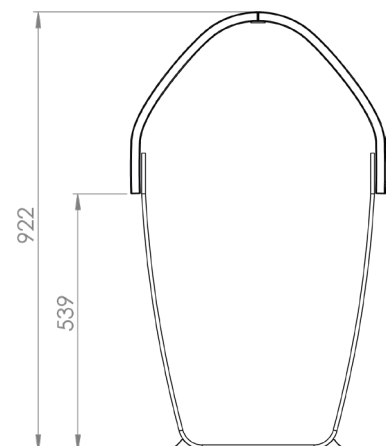
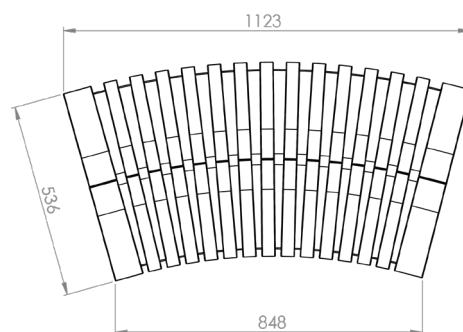
Weight: 29,4 kg



Name: Nova C Double Perch 30°

Article Number: NPED2_30

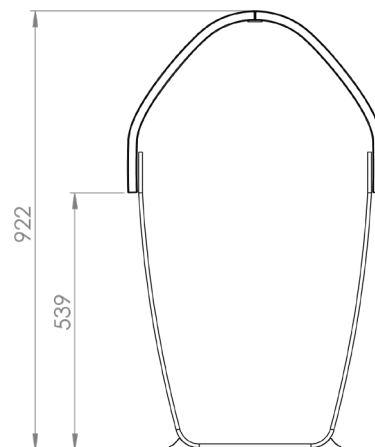
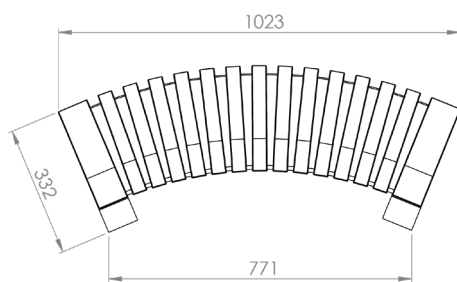
Weight: 29,4 kg



Name: Nova C Double Perch 45°

Article Number: NPED2_45

Weight: 29,4 kg



**GREEN
FURNITURE
CONCEPT**

GLOBAL

Carlsgatan 3
211 20 Malmö, Sweden
+46 (0)40 600 93 30

AMERICAS

15 Main St #244
Watertown MA, 02472 USA
Toll Free: 1 (877) 582-8664